



www.thebrokentoken.com

**STACKING
TABLETOP**

Card
2
Sections

Card Holder

for use with
Standard-Size Game Cards

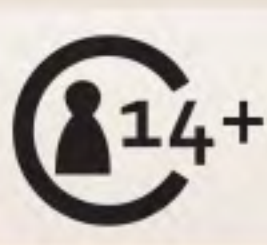


MADE IN USA

TCH007



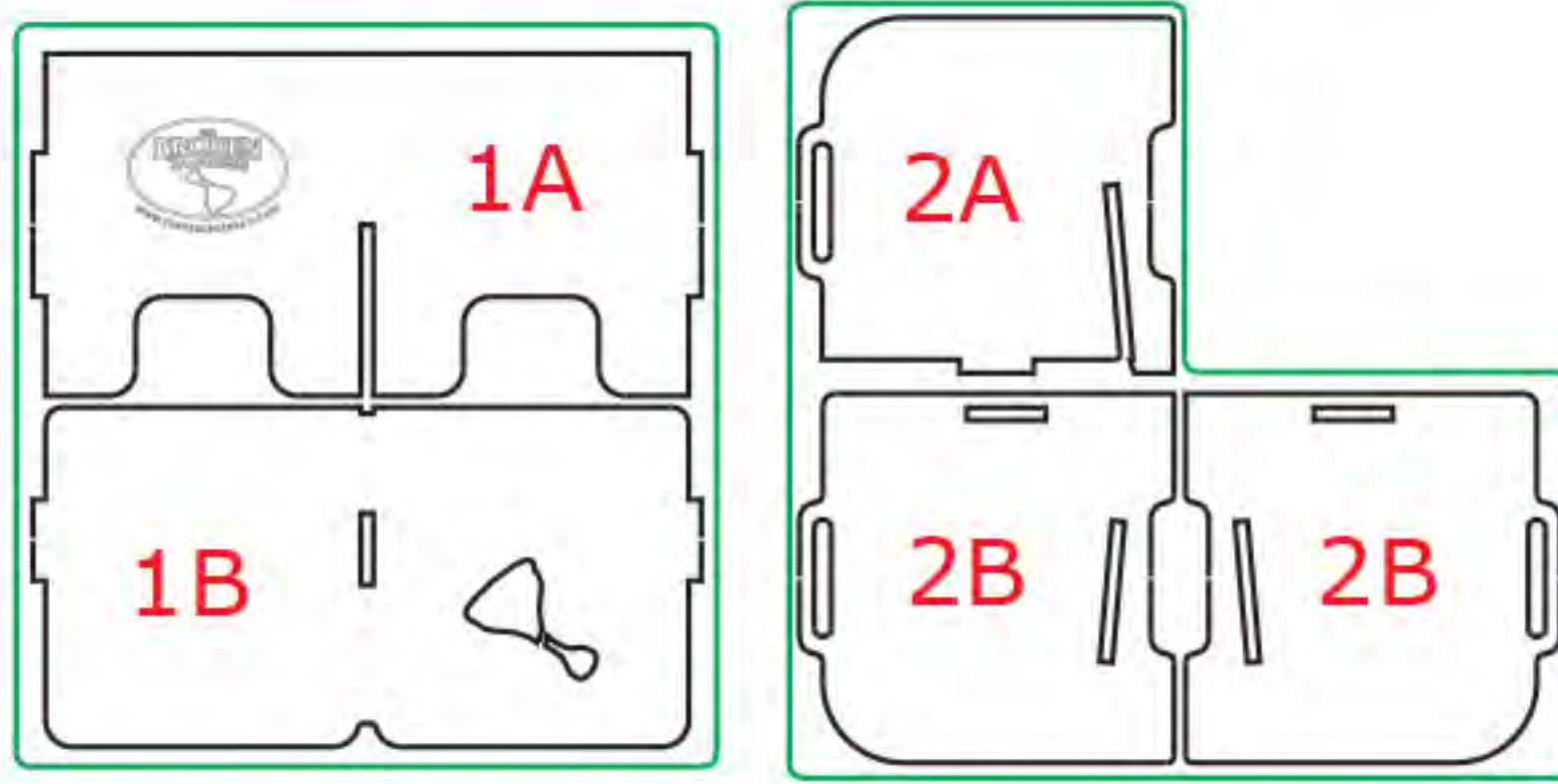
Product subject to change without notice. ©2018 The Broken Token, LLC.
Visit thebrokentoken.com for our full line of gaming organizers and accessories.



Warning: Not a toy. Not suitable for children under 14 years of age. Usage under parental guidance or guidance of adults only.

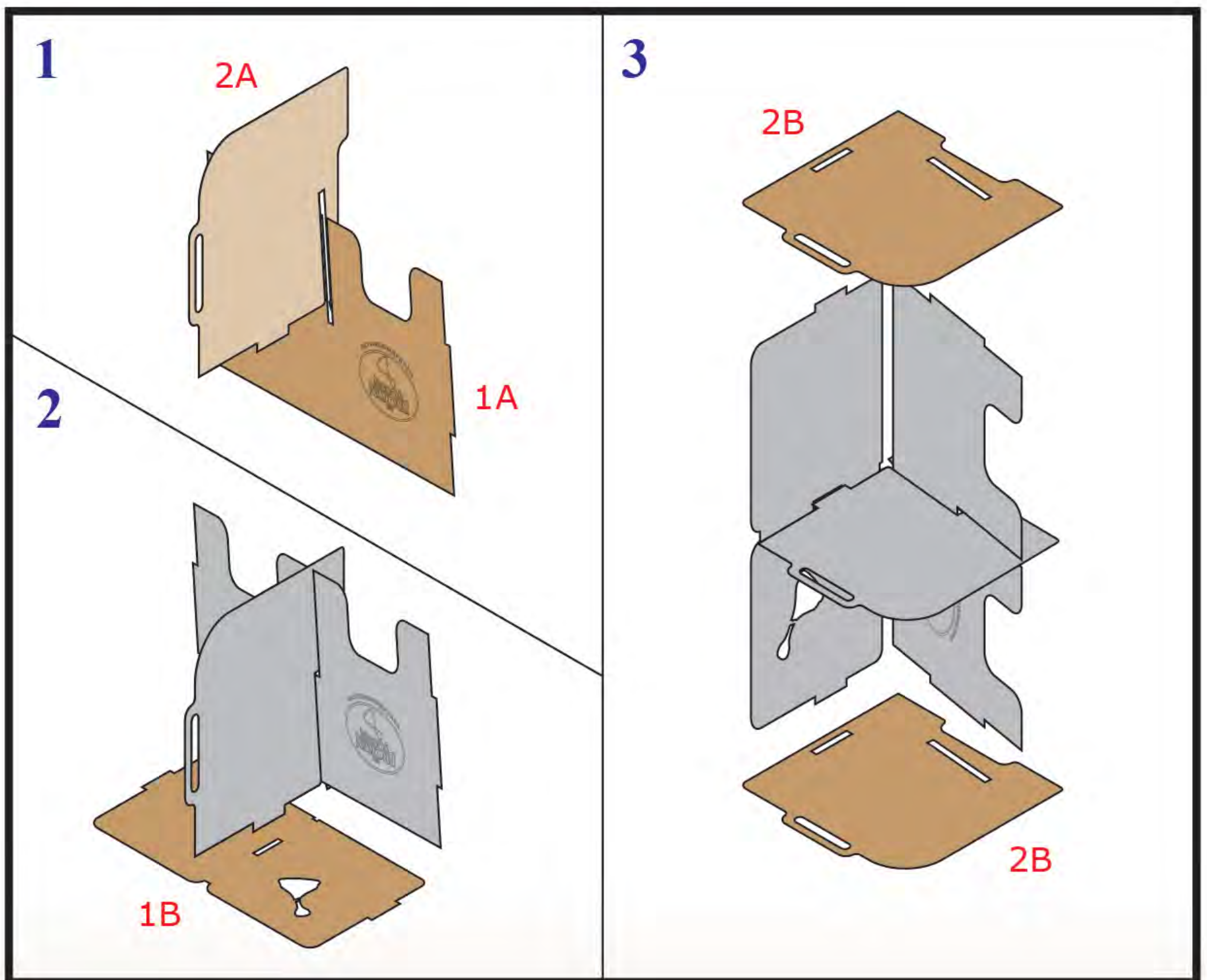


Assembly Instructions



Thank you for purchasing our Standard Stacking Tabletop Card Holder. If you have any questions about assembly, please don't hesitate to contact us through our website.

Note: Glue should be used on all joints. Wood glue is recommended.



www.thebrokentoken.com

@tbt_gaming thebrokentoken thebrokentoken thebrokentoken