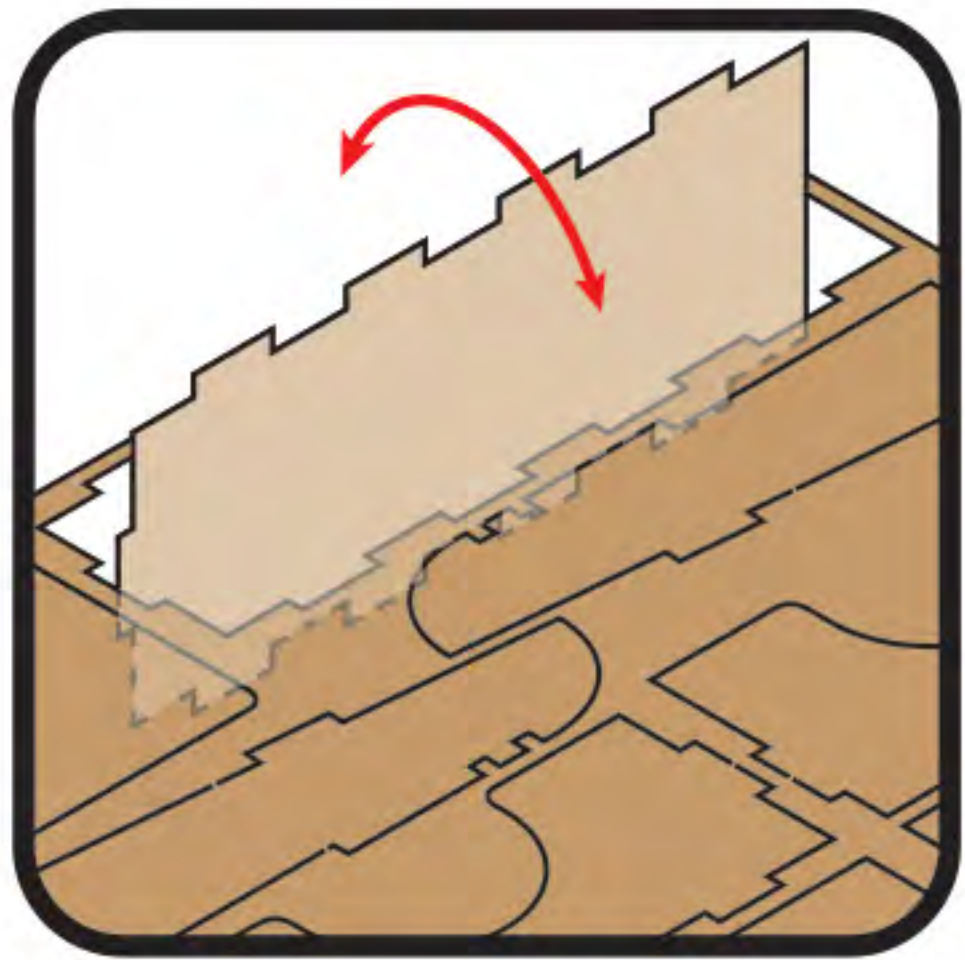


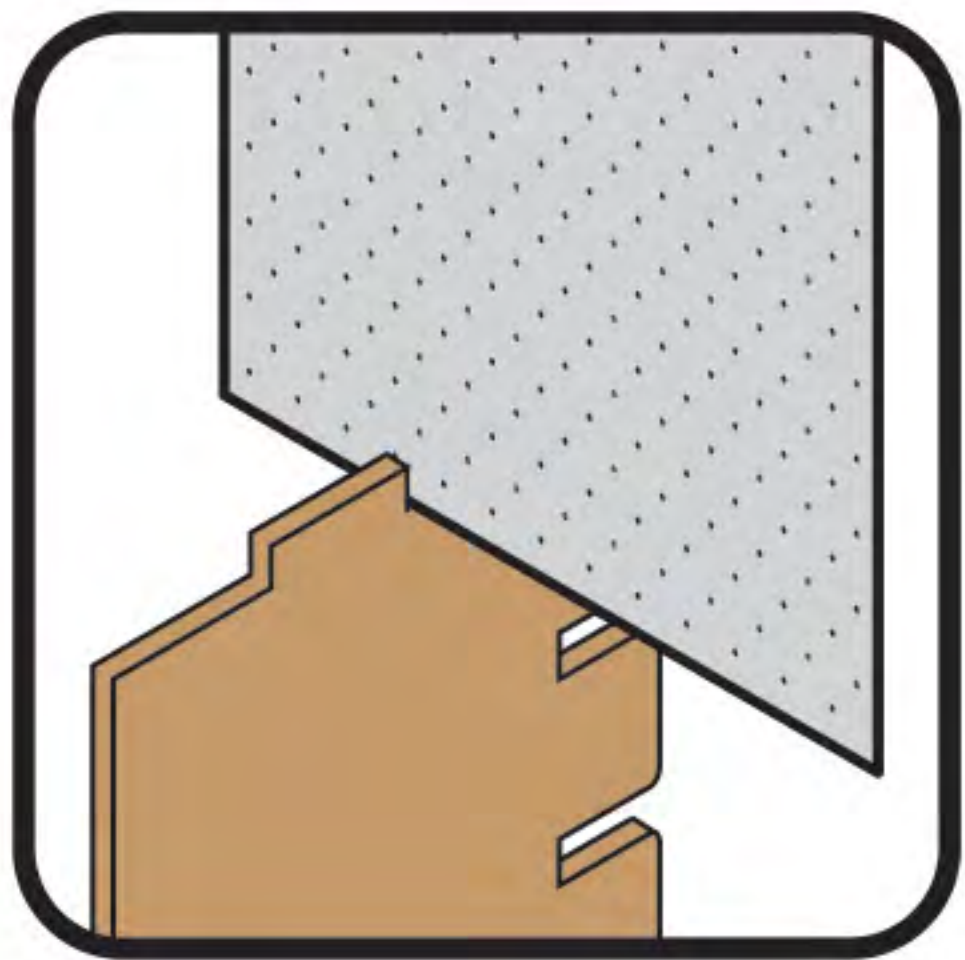
Assembly Tips and Tricks



Remove parts from the frame by rotating them back and forth until they break free.



Trim off any excess wood with a hobby knife.

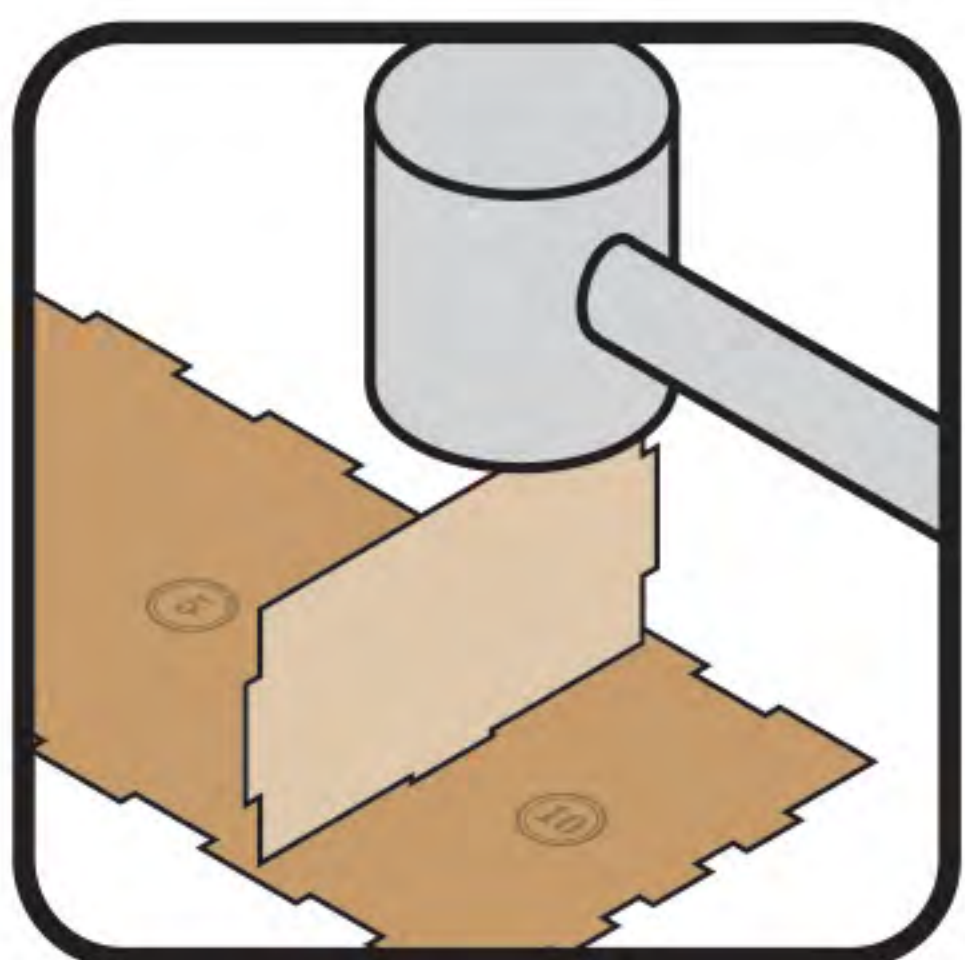


Tight pieces can be sanded, or trimmed with a hobby knife, to create a better fit.



Loose pieces may be assembled with a small amount of wood glue.

We recommend using glue for any removable trays or parts that are handled frequently.



Gently tap pieces together with a mallet, hammer or other blunt object.

See more assembly tips and product videos on YouTube:
[youtube.com/thebrokentoken](https://www.youtube.com/thebrokentoken)
 or contact us via through our website:
www.thebrokentoken.com/contact-us



www.thebrokentoken.com

MAGIC NIGHT ORGANIZER

compatible with
Mage Knight™



This box organizer is compatible with Mage Knight™ and is a non-licensed product. All trademarks and copyrights are properties of their respective owners.

Product subject to change without notice. ©2016 The Broken Token, LLC. Visit thebrokentoken.com for our full line of gaming organizers and accessories.

ORG023



www.thebrokentoken.com

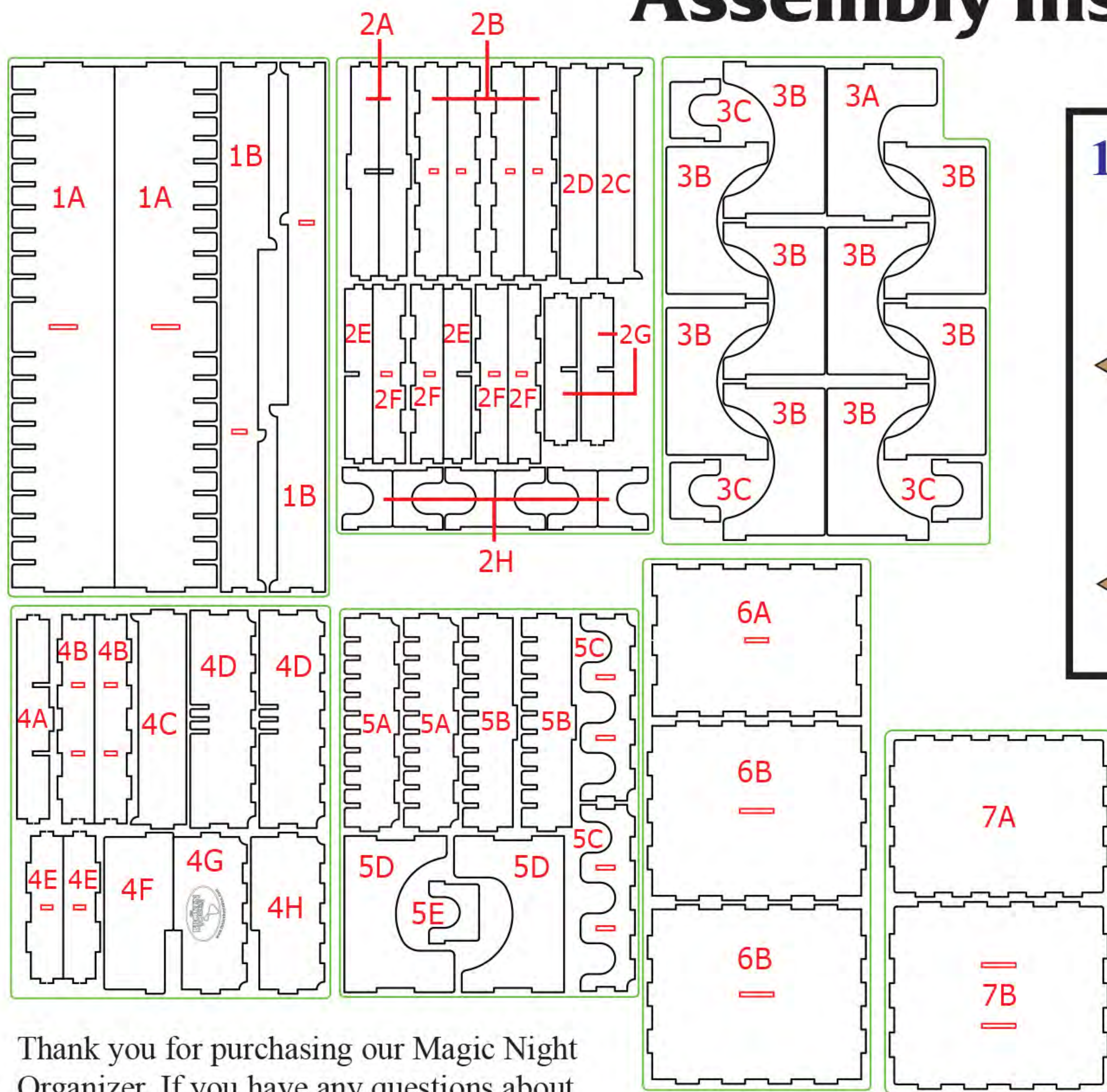
@tbt_gaming thebrokentoken thebrokentoken thebrokentoken



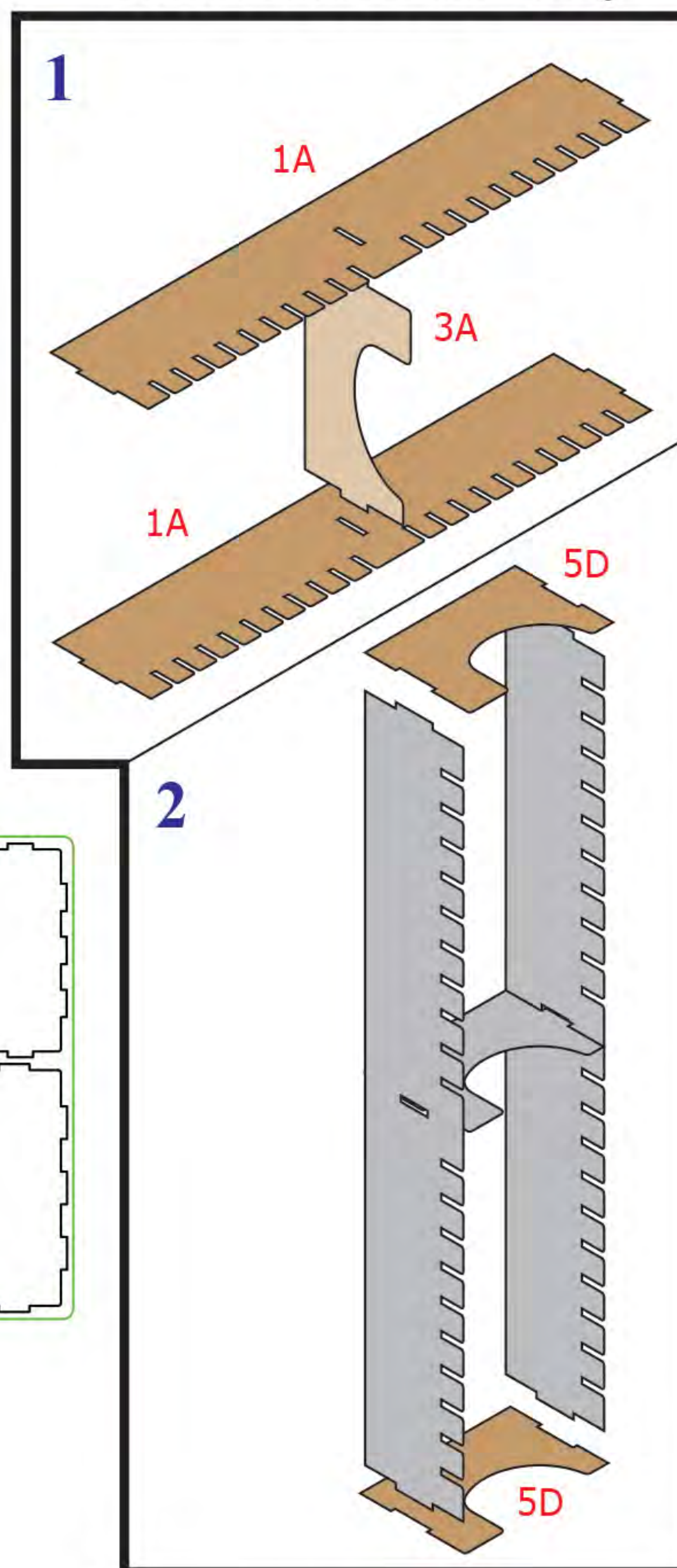
Warning: Not a toy. Not suitable for children under 14 years of age. Usage under parental guidance or guidance of adults only.



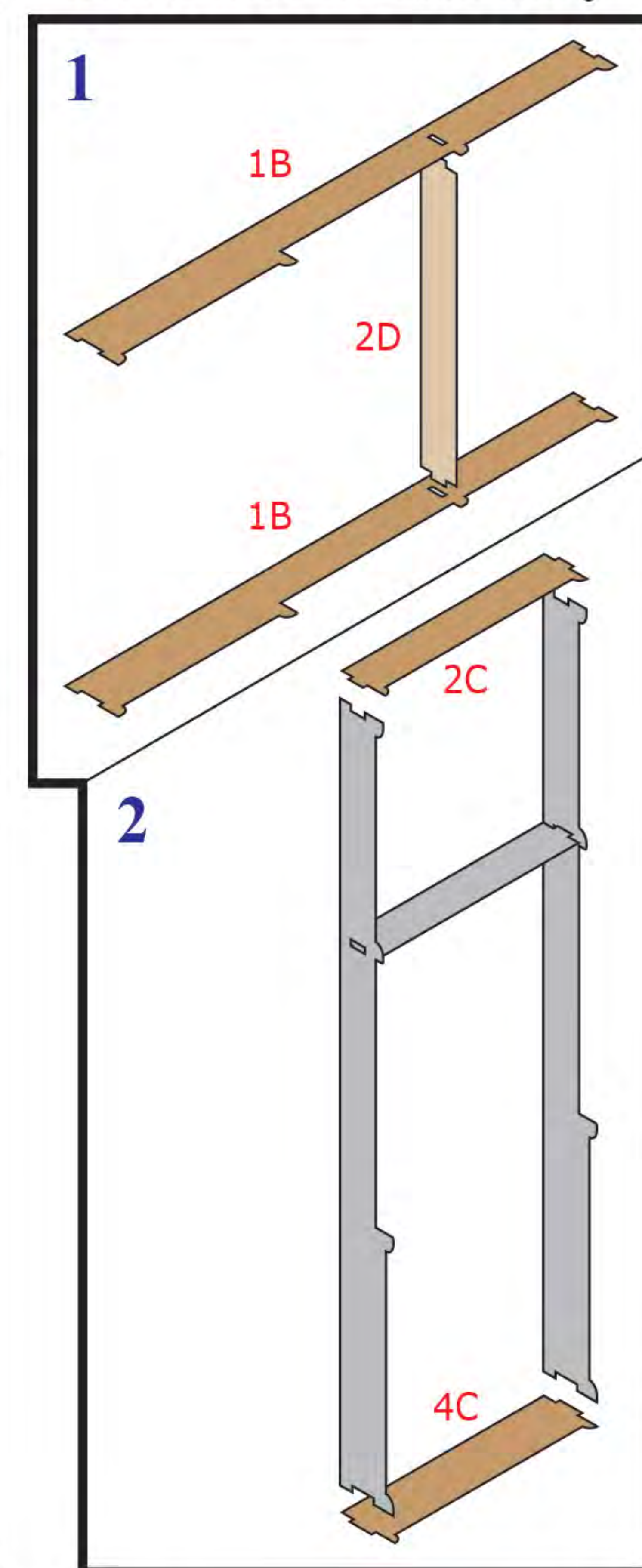
Assembly Instructions



Main Box A Assembly



Main Box B Assembly

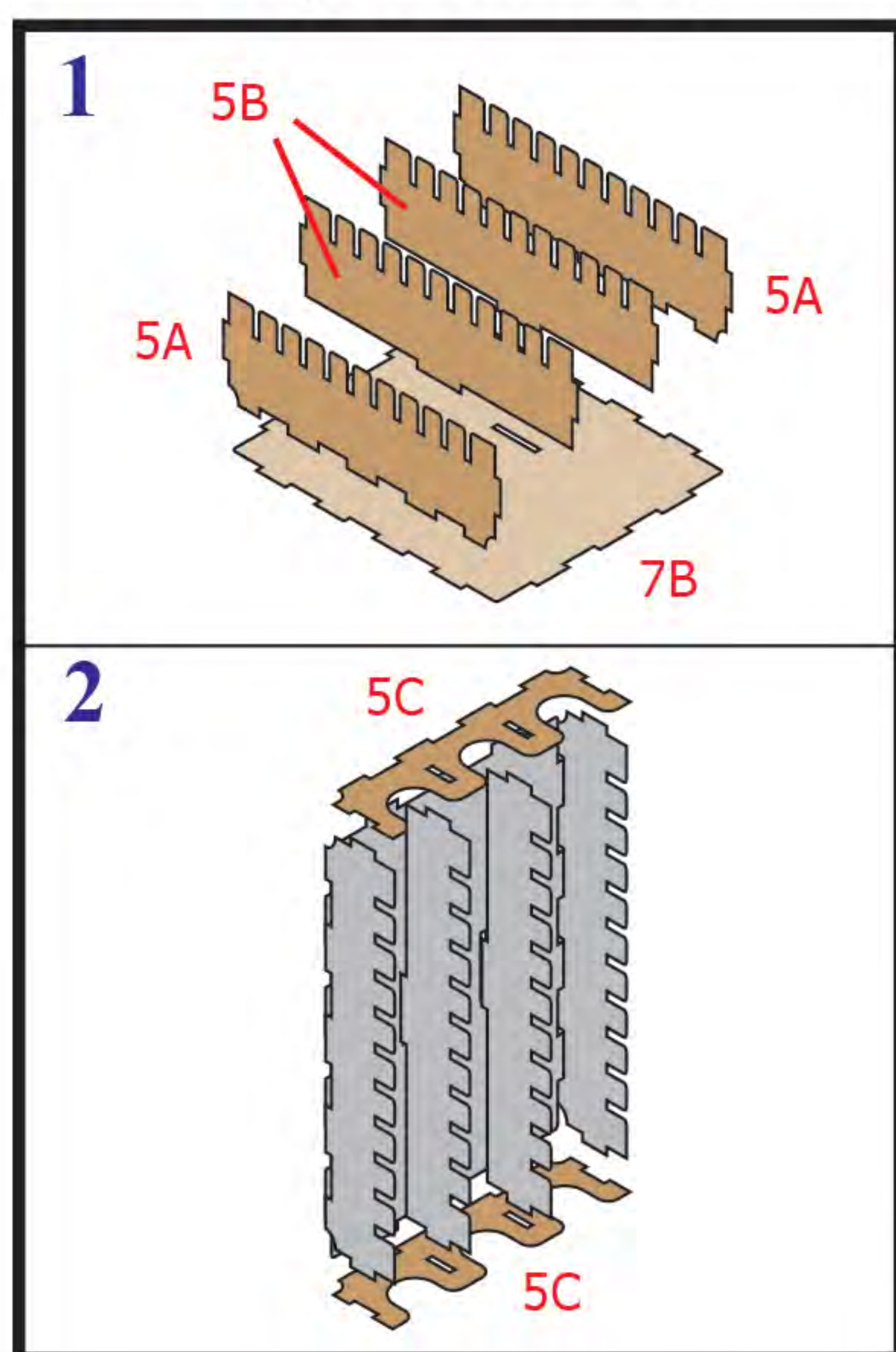


Thank you for purchasing our Magic Night Organizer. If you have any questions about assembly don't hesitate to contact us.

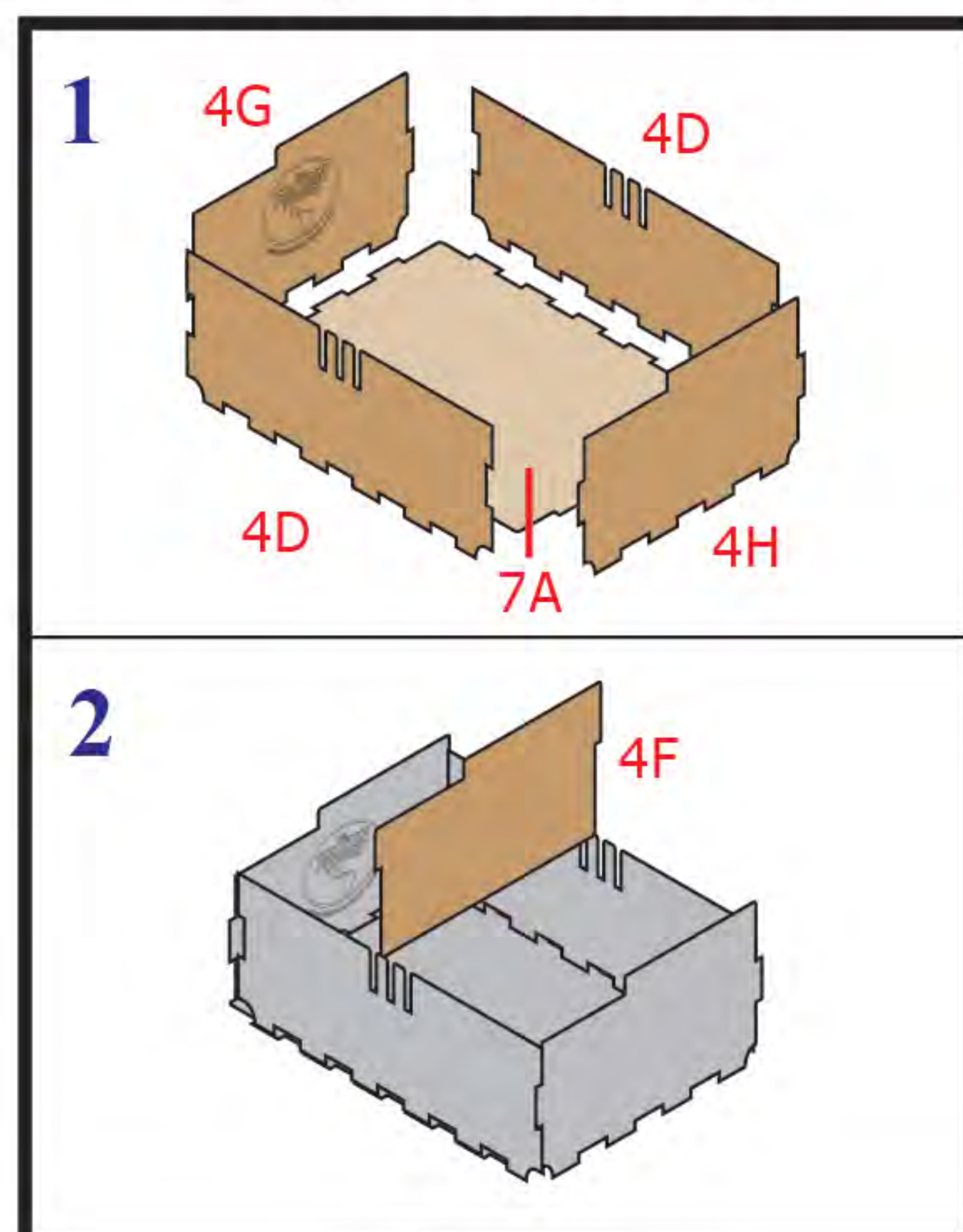
Note: Glue should be used on all joints. Wood glue is recommended.



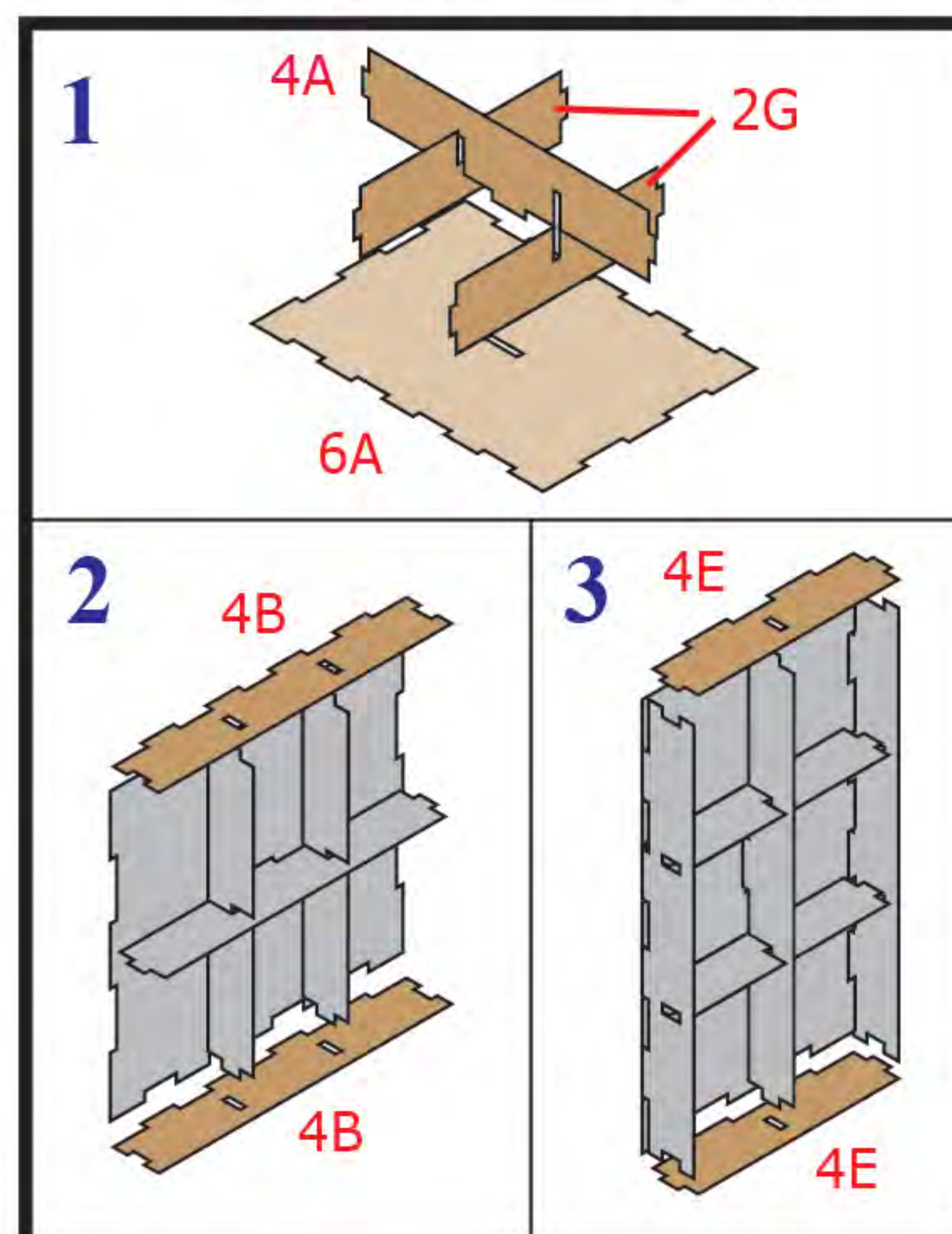
Tray A Assembly



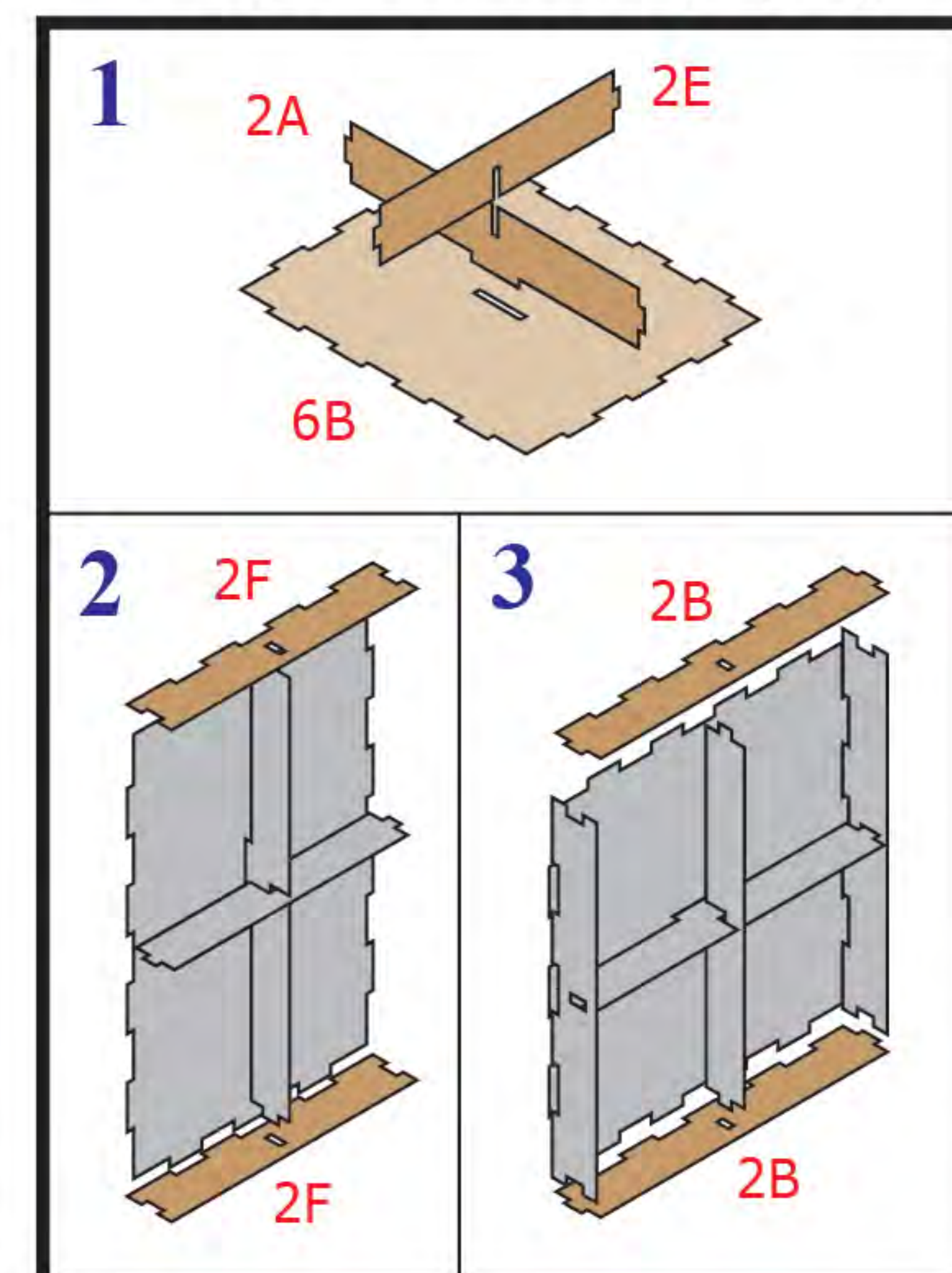
Tray B Assembly



Tray C Assembly



Tray D Assembly (x2)



Complete Organizer Assembly

