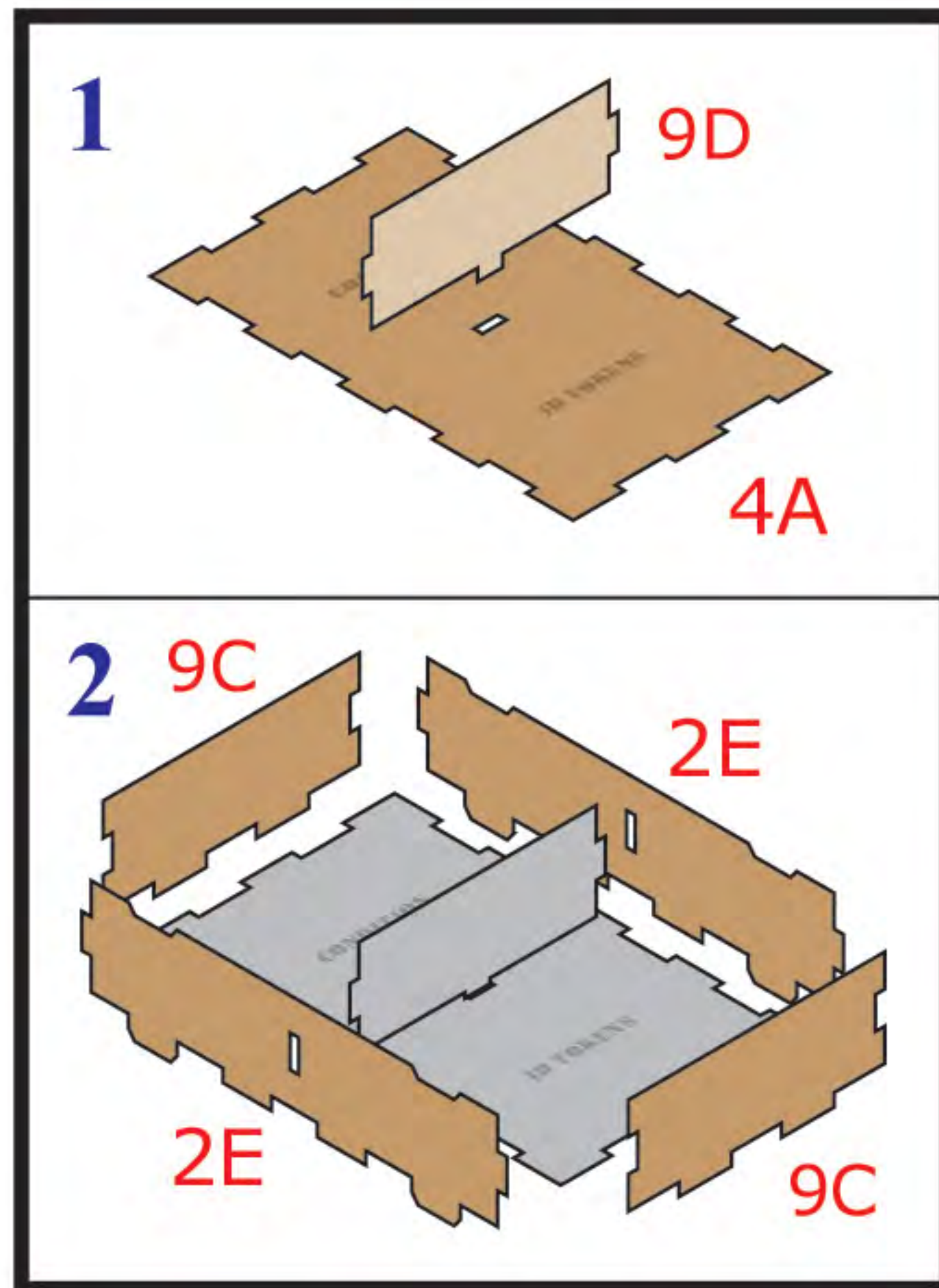
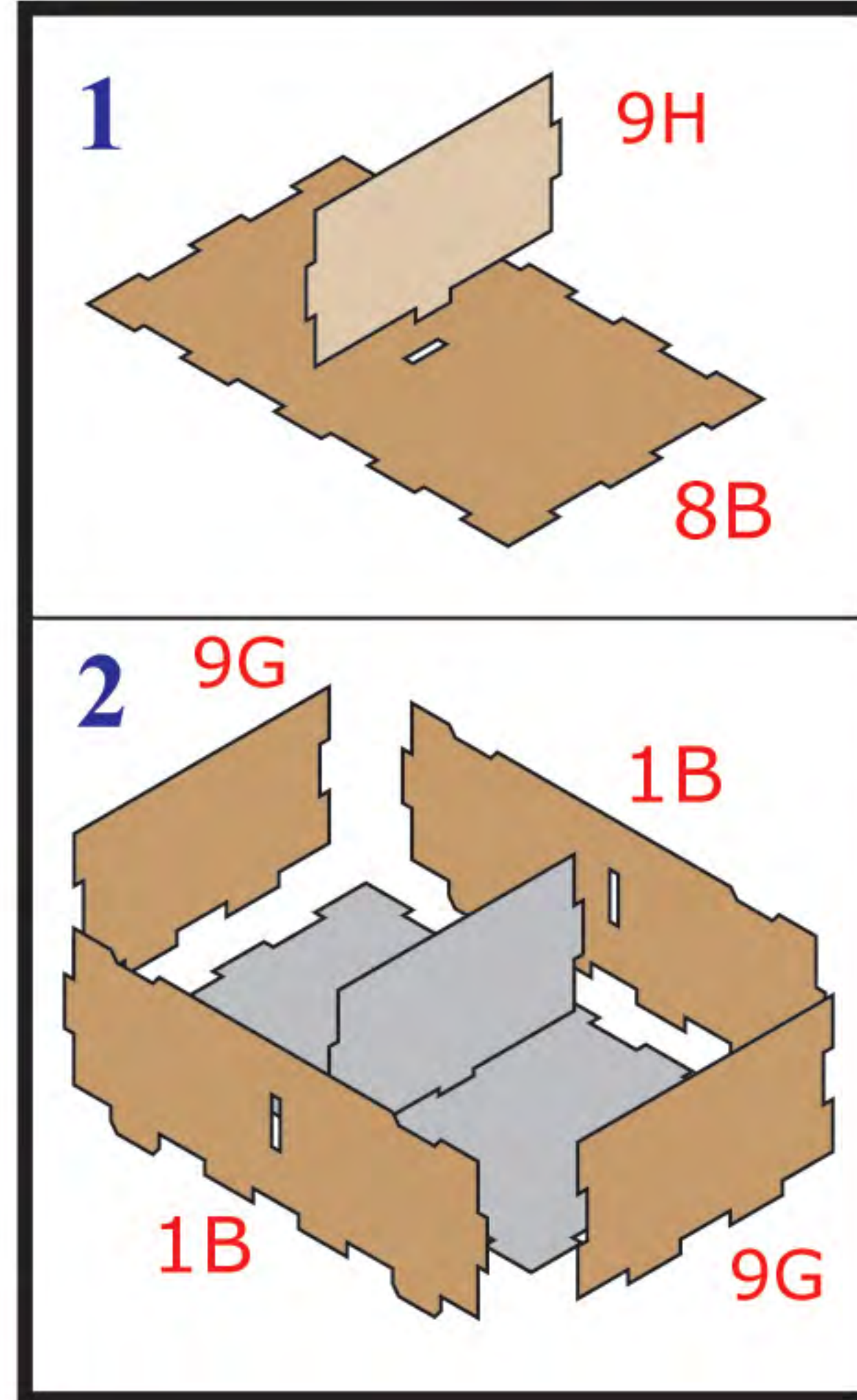


Assembly Instructions (continued)

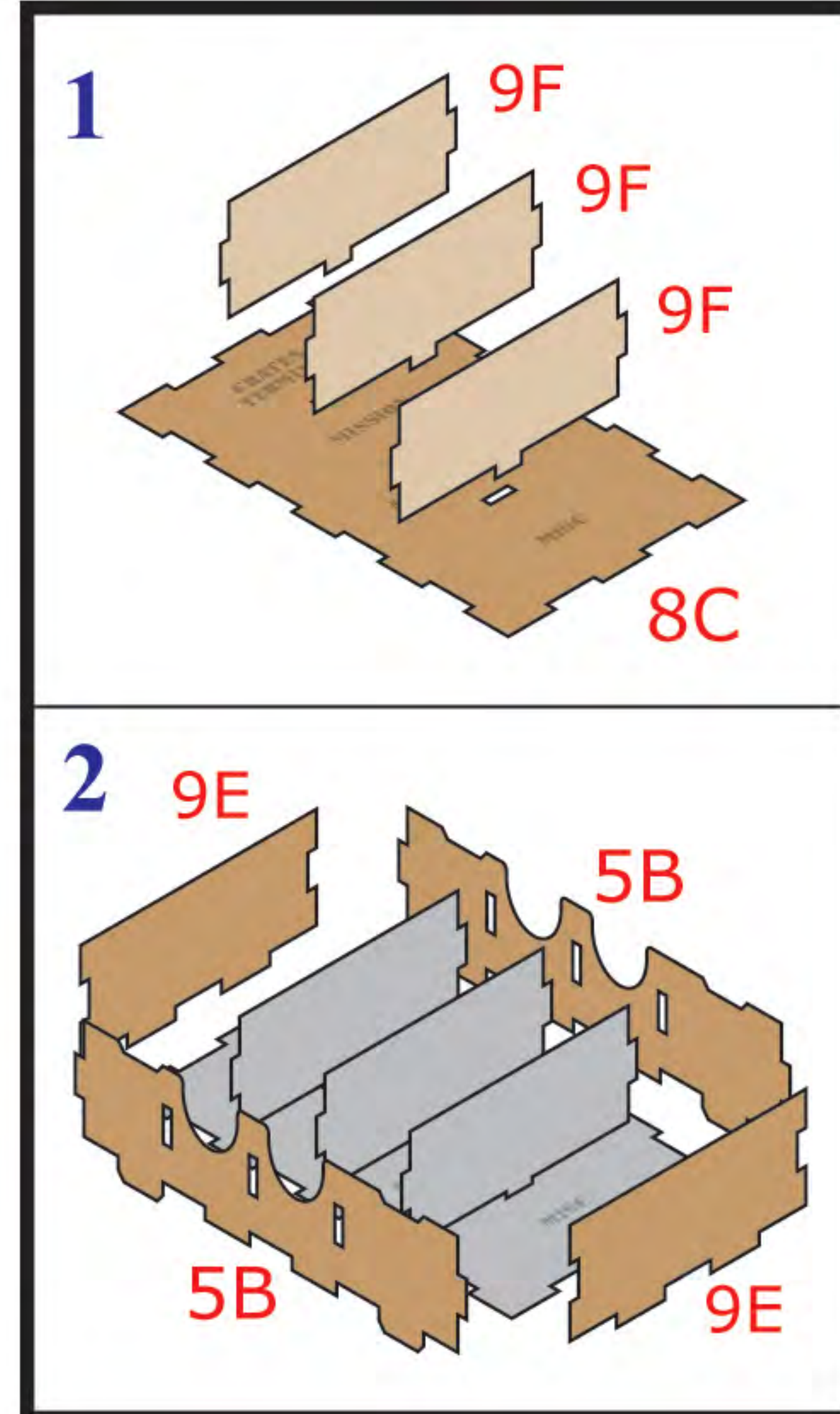
Tray C Assembly



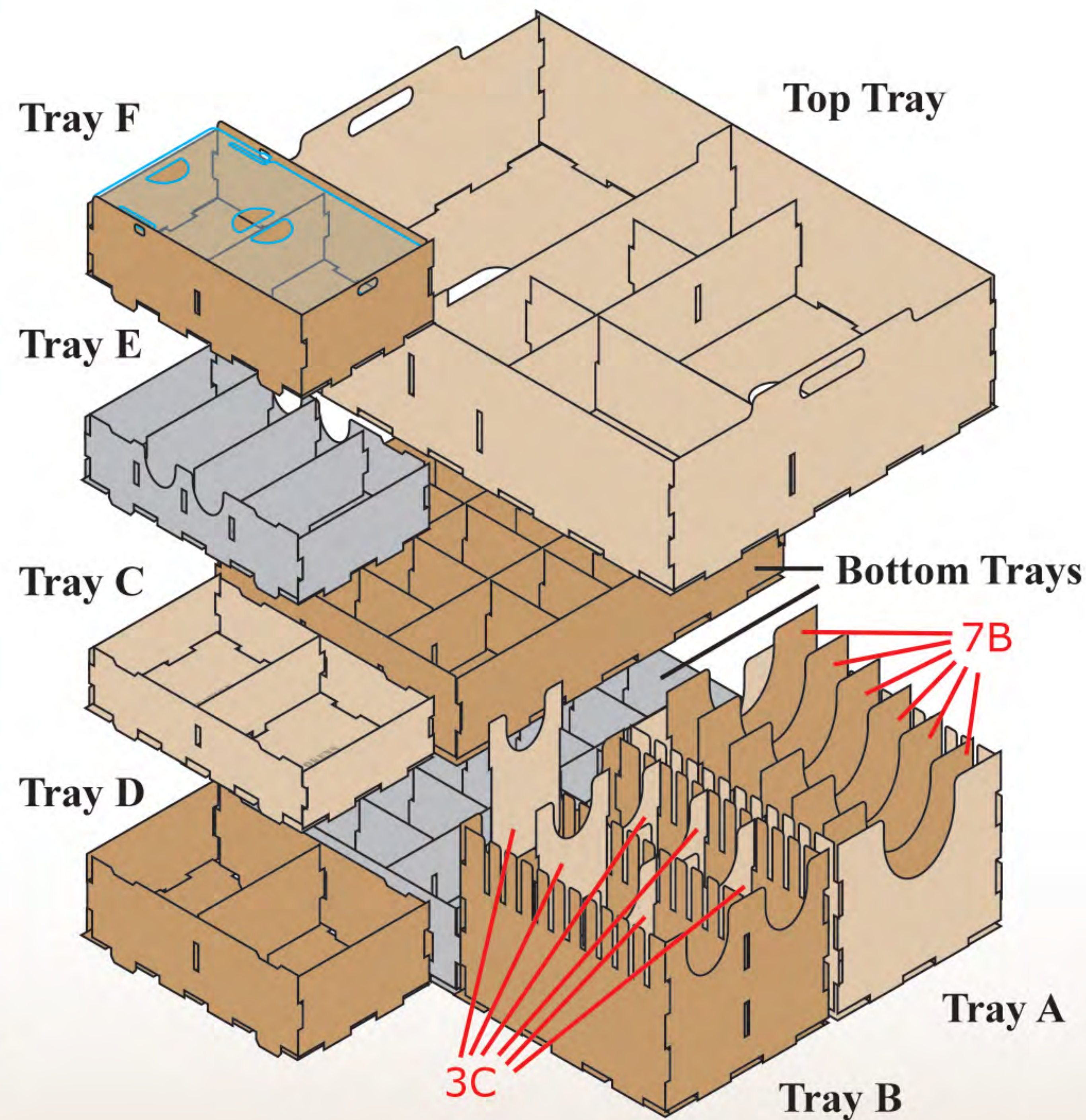
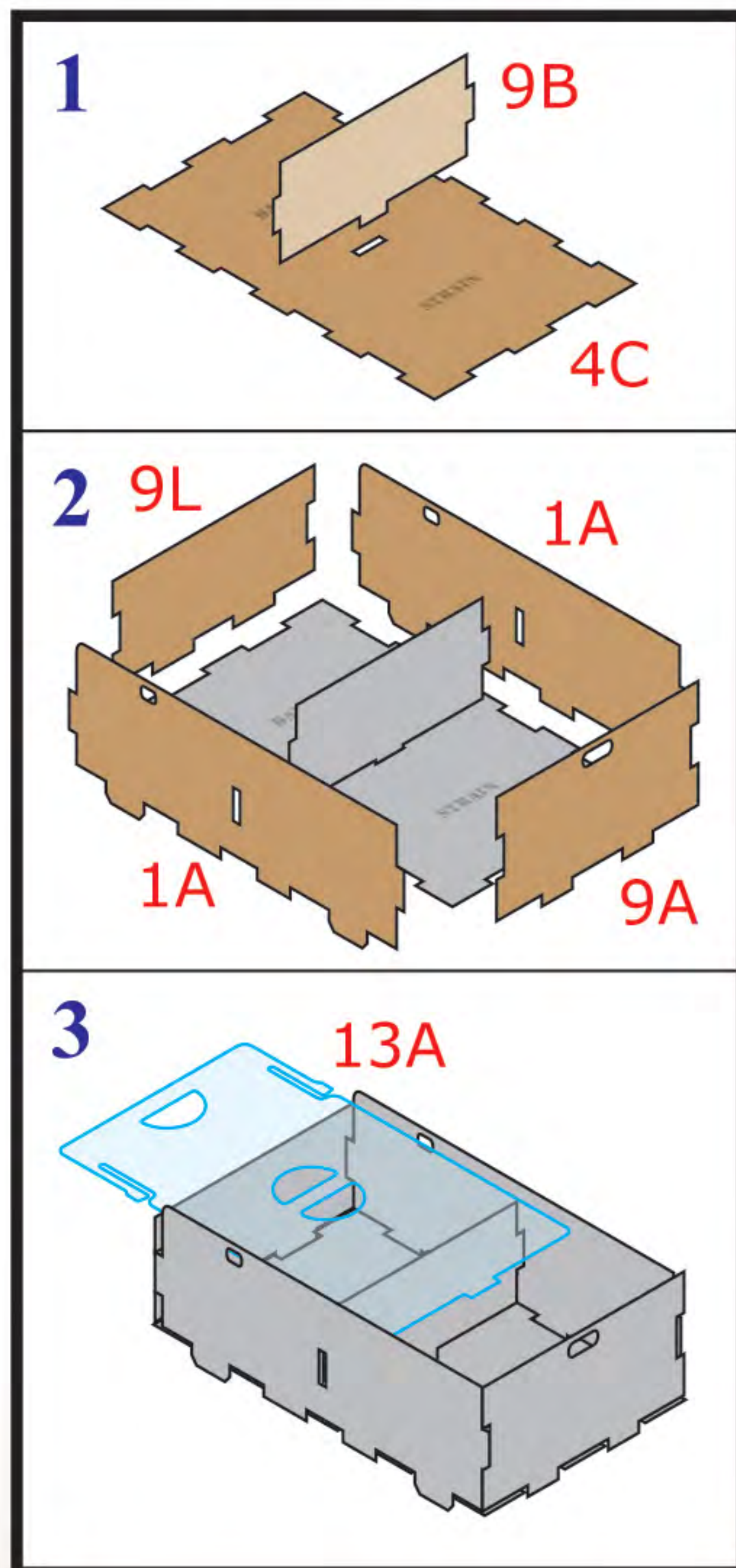
Tray D Assembly



Tray E Assembly



Tray F Assembly



www.thebrokentoken.com

IMPERIAL - ORGANIZER -

compatible with
Imperial Assault™



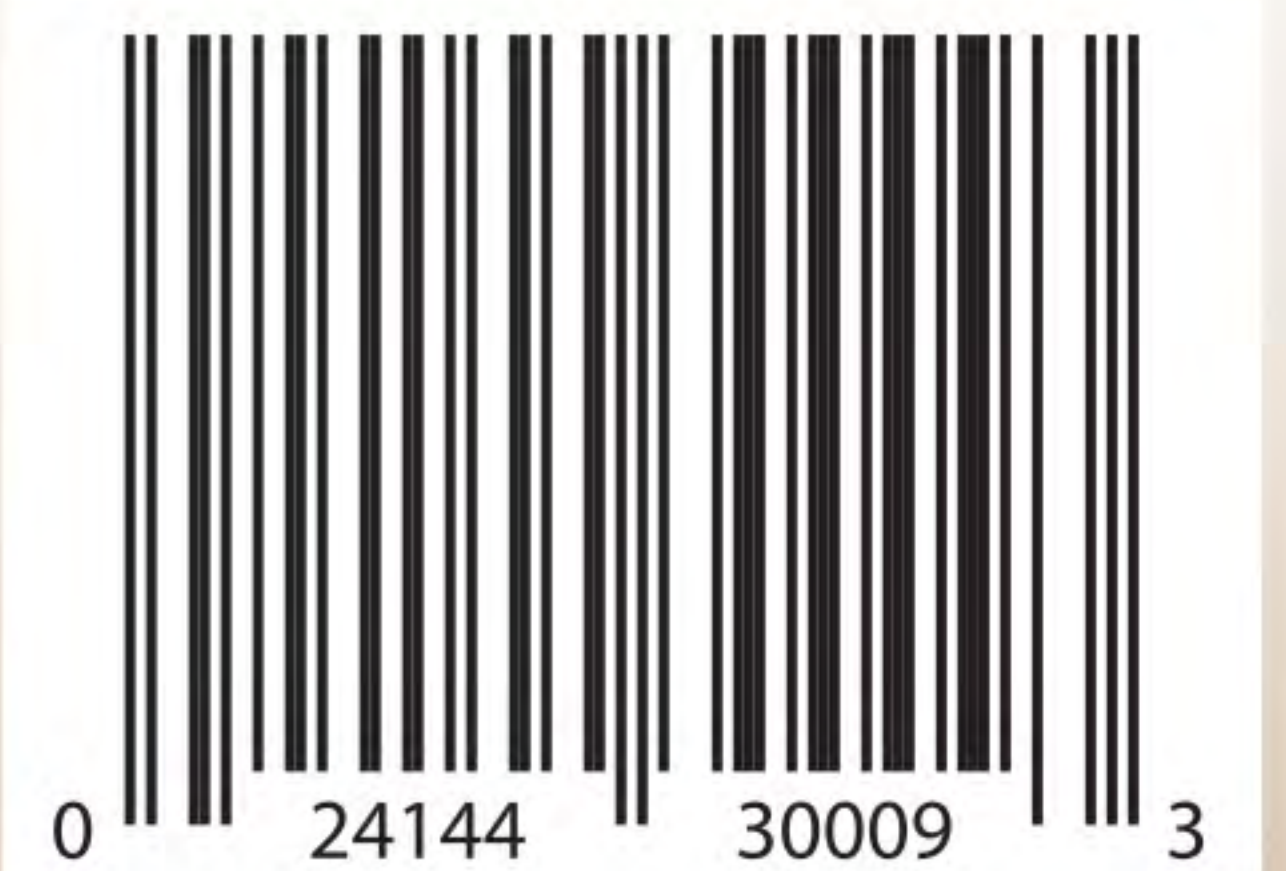
ORG032

This box organizer is compatible with Imperial Assault™ and is a non-licensed product. All trademarks and copyrights are properties of their respective owners.

Product subject to change without notice. ©2015 The Broken Token, LLC. Visit thebrokentoken.com for our full line of gaming organizers and accessories.



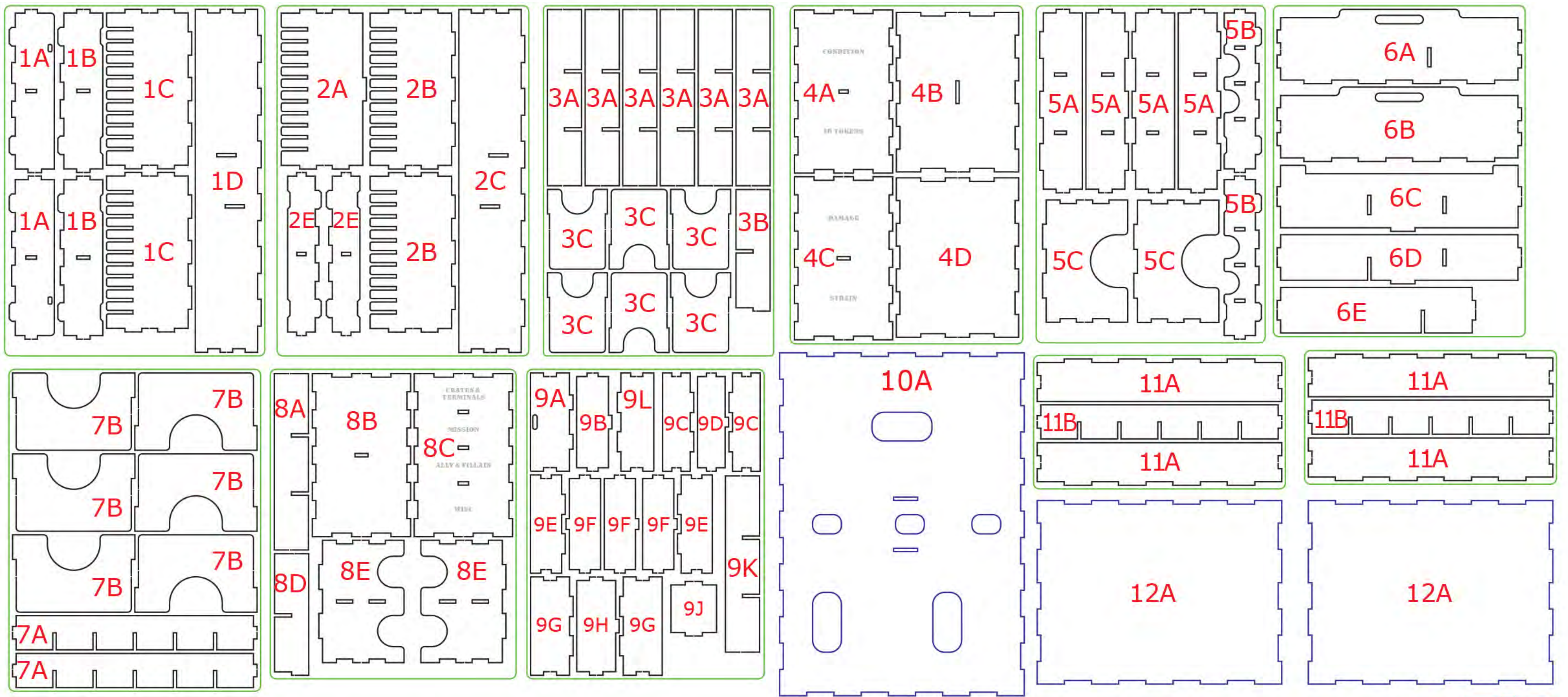
Warning: Not a toy. Not suitable for children under 14 years of age. Usage under parental guidance or guidance of adults only.



www.thebrokentoken.com

@tbt_gaming thebrokentoken thebrokentoken thebrokentoken

Assembly Instructions



Thank you for purchasing our Imperial Organizer. If you have any questions about assembly, please don't hesitate to contact us.
 Note: Glue should be used on all joints. Wood glue is recommended.

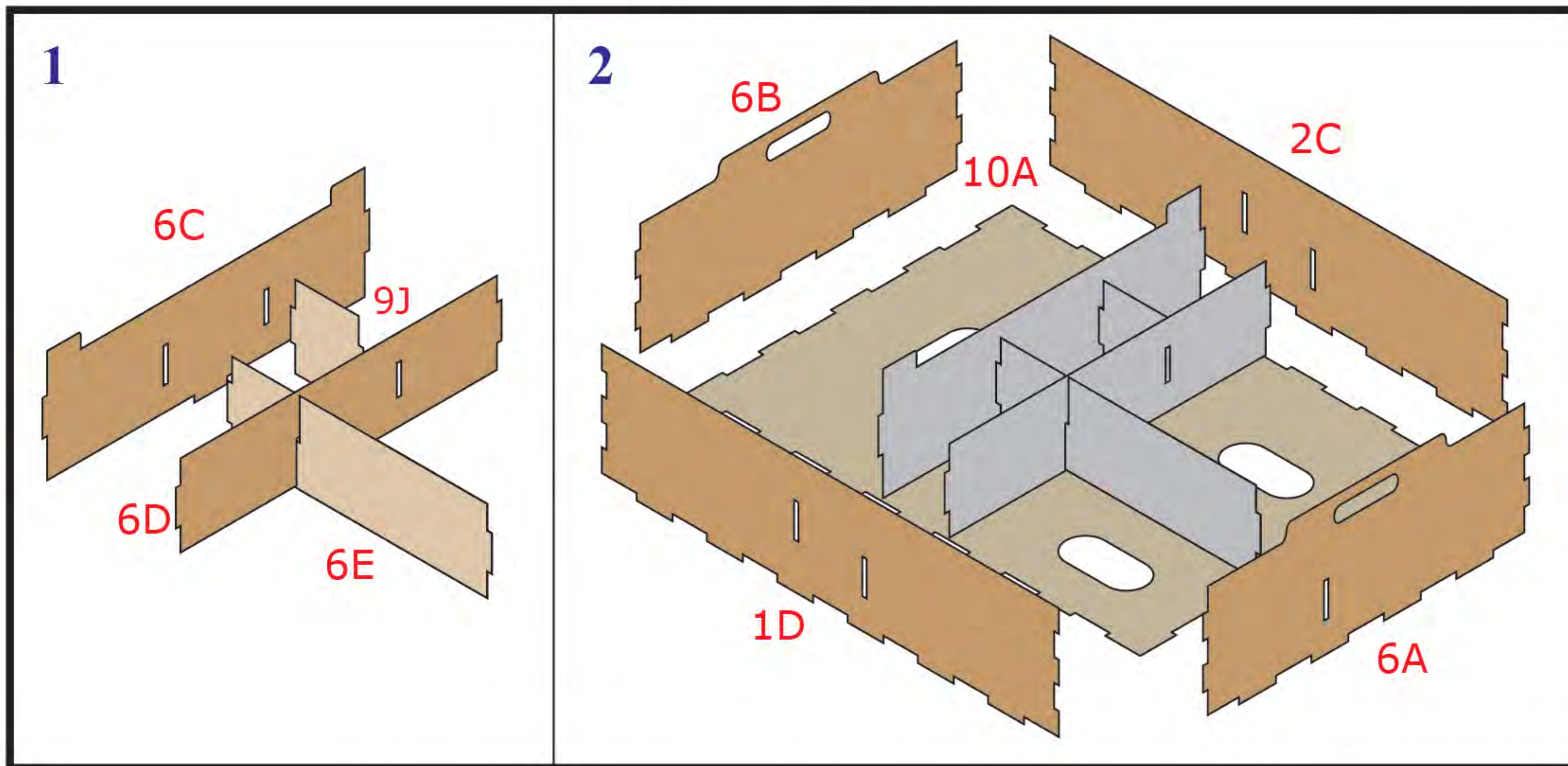
Peel protective coating from both sides of acrylic before installation.



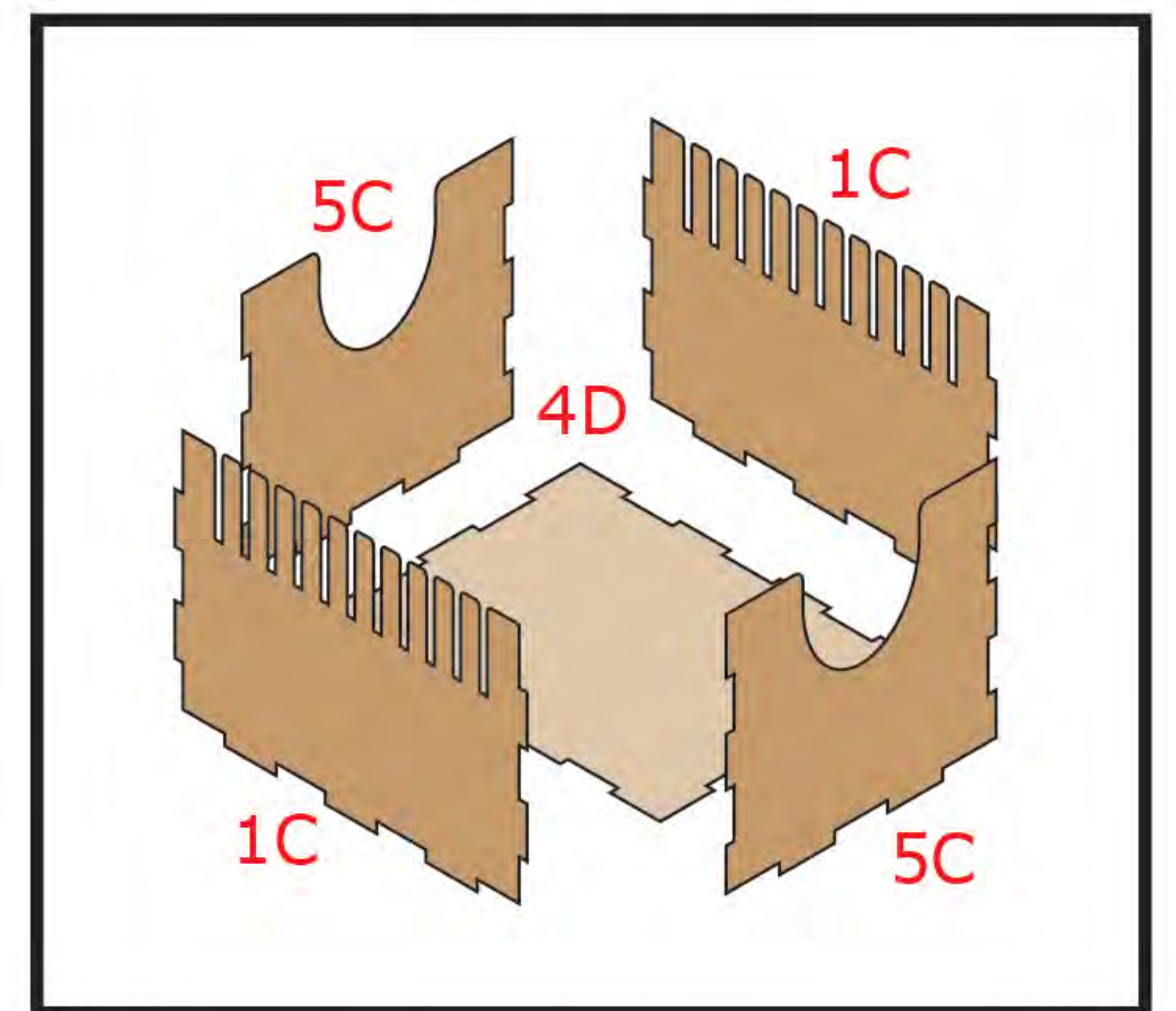
Watch an **ASSEMBLY VIDEO**
<http://tiny.cc/tokenrattle>



Top Tray Assembly

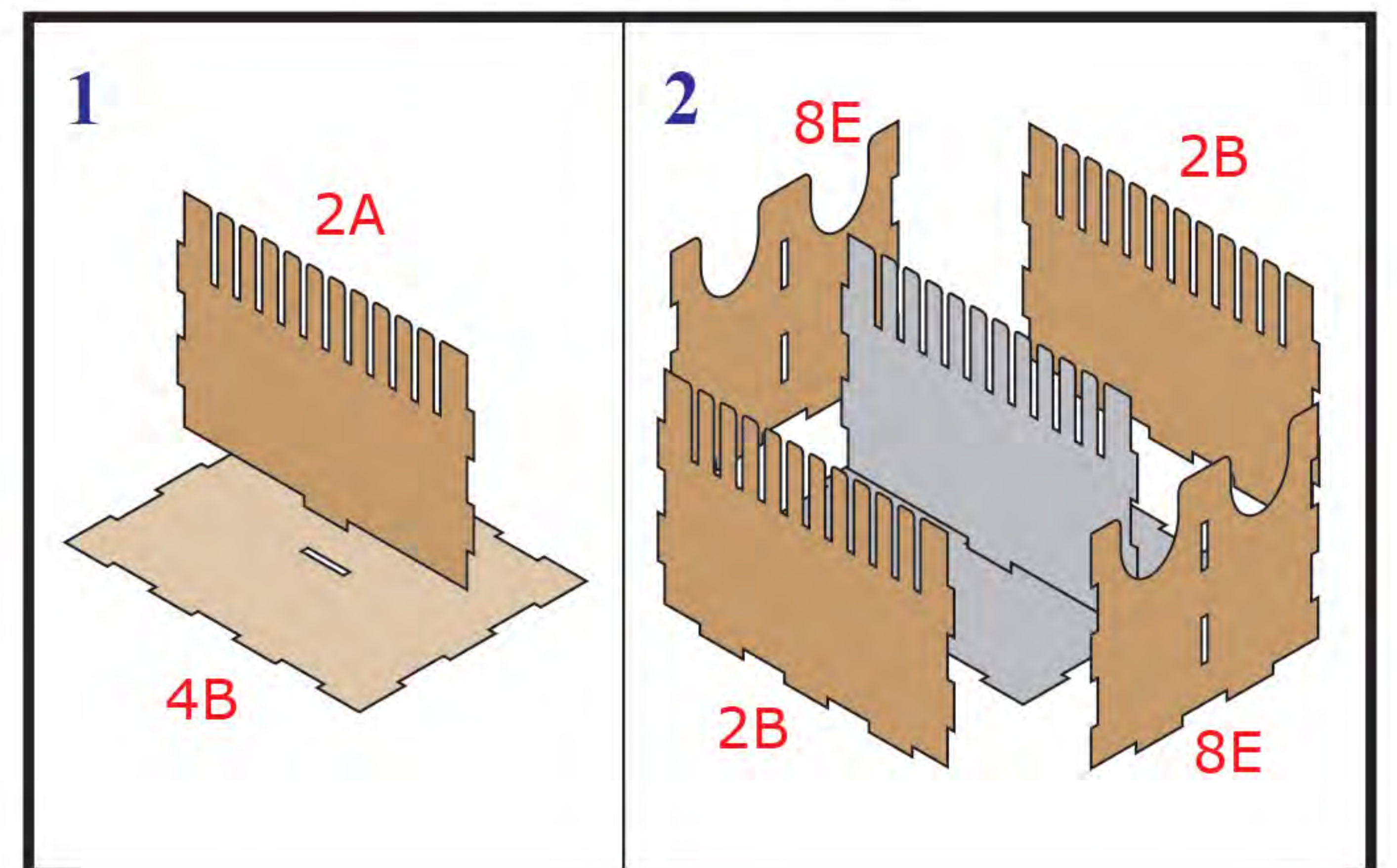
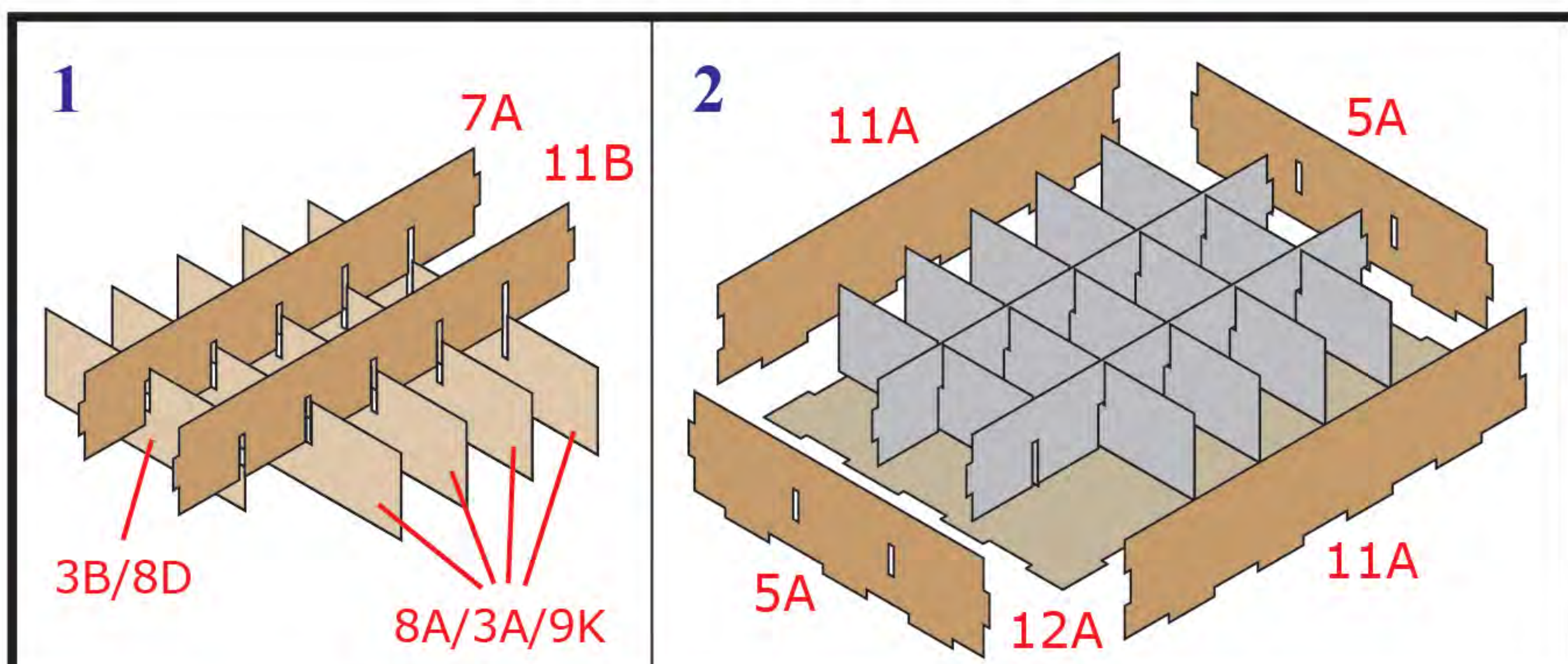


Tray A Assembly



Tray B Assembly

Bottom Trays Assembly (x2)



NOTE: Dividers may be removed to accommodate more figures.

Assembly Instructions Continued on Back →