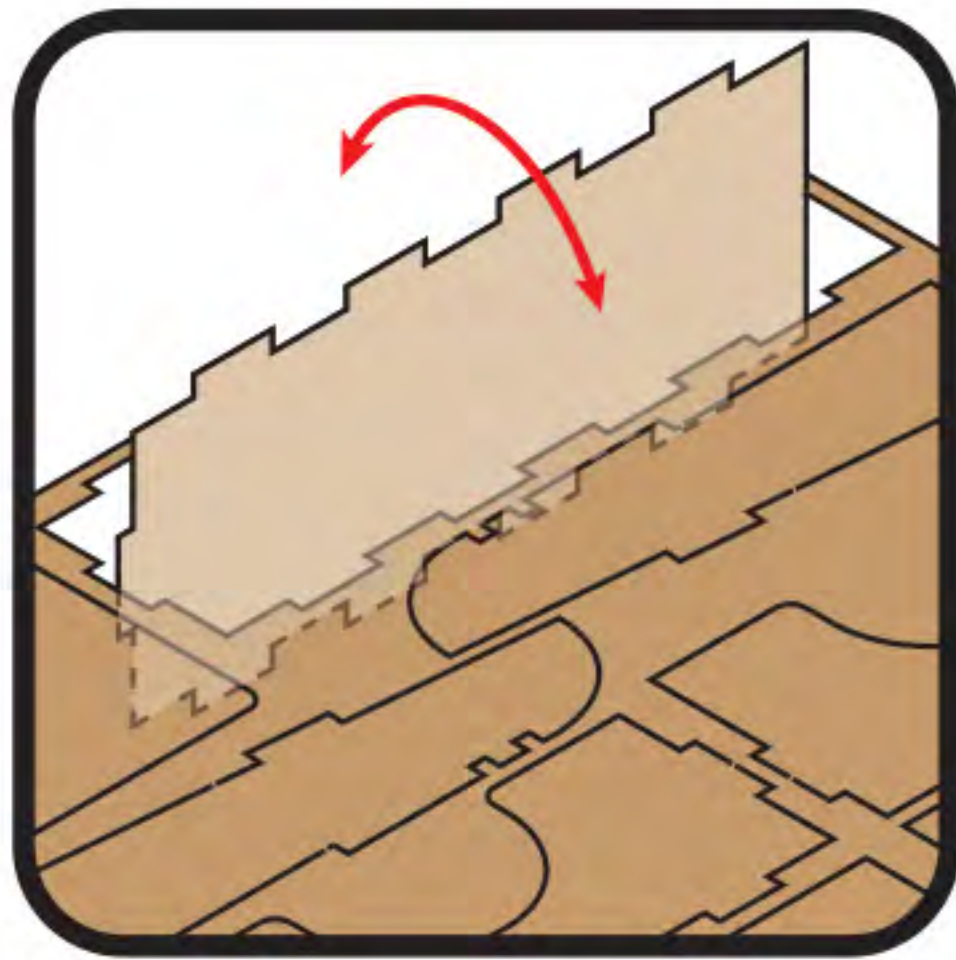


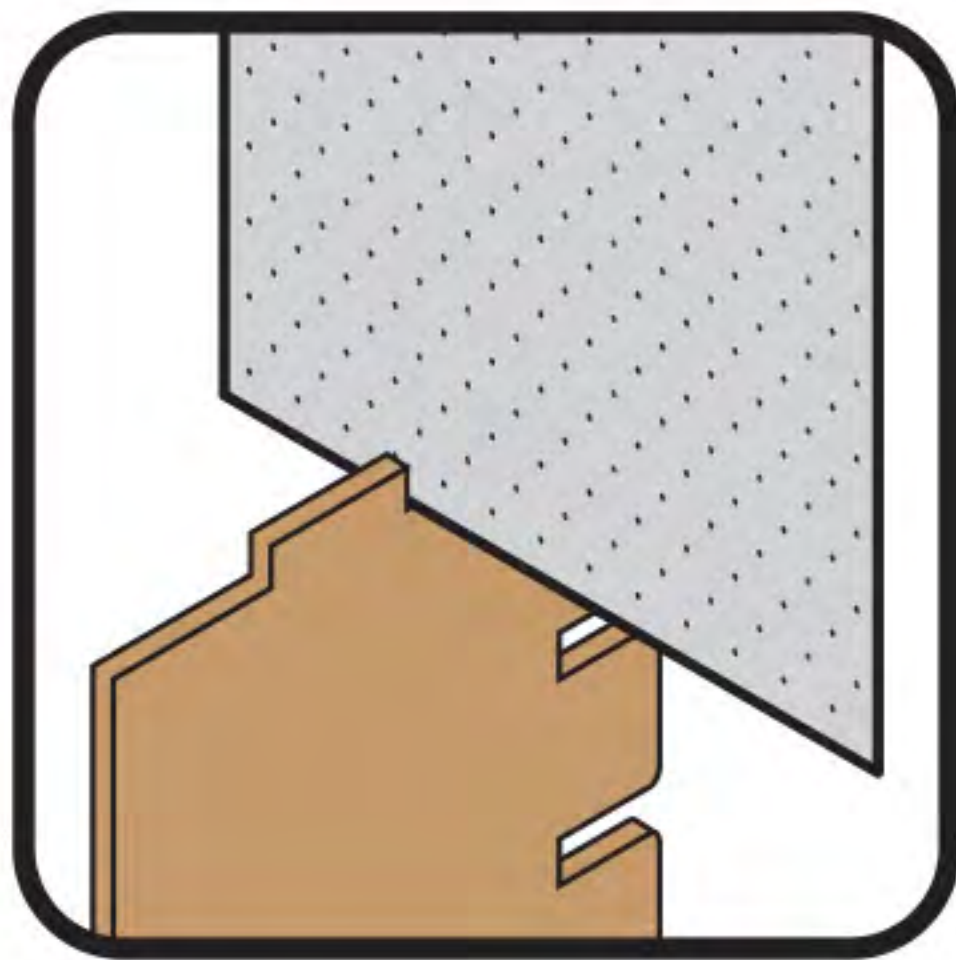
Assembly Tips and Tricks



Remove parts from the frame by rotating them back and forth until they break free.



Trim off any excess wood with a hobby knife.



Tight pieces can be sanded, or trimmed with a hobby knife, to create a better fit.



Loose pieces may be assembled with a small amount of wood glue.

We recommend using glue for any removable trays or parts that are handled frequently.



Gently tap pieces together with a mallet, hammer or other blunt object.

See more assembly tips and product videos on YouTube:
[youtube.com/thebrokentoken](https://www.youtube.com/thebrokentoken)
 or contact us via through our website:
www.thebrokentoken.com/contact-us



www.thebrokentoken.com



Box Organizer



MADE IN USA



This is an officially licensed box organizer compatible with Spoils of War by Arcane Wonders. Arcane Wonders, Spoils of War and their logo are trademarks of Arcane Wonders, 5250 Hwy 78, Suite 750-214, Sachse, TX 75048 www.ArcaneWonders.com

Product subject to change without notice. ©2017 The Broken Token, LLC. Visit thebrokentoken.com for our full line of gaming organizers and accessories.

ORG049



www.thebrokentoken.com

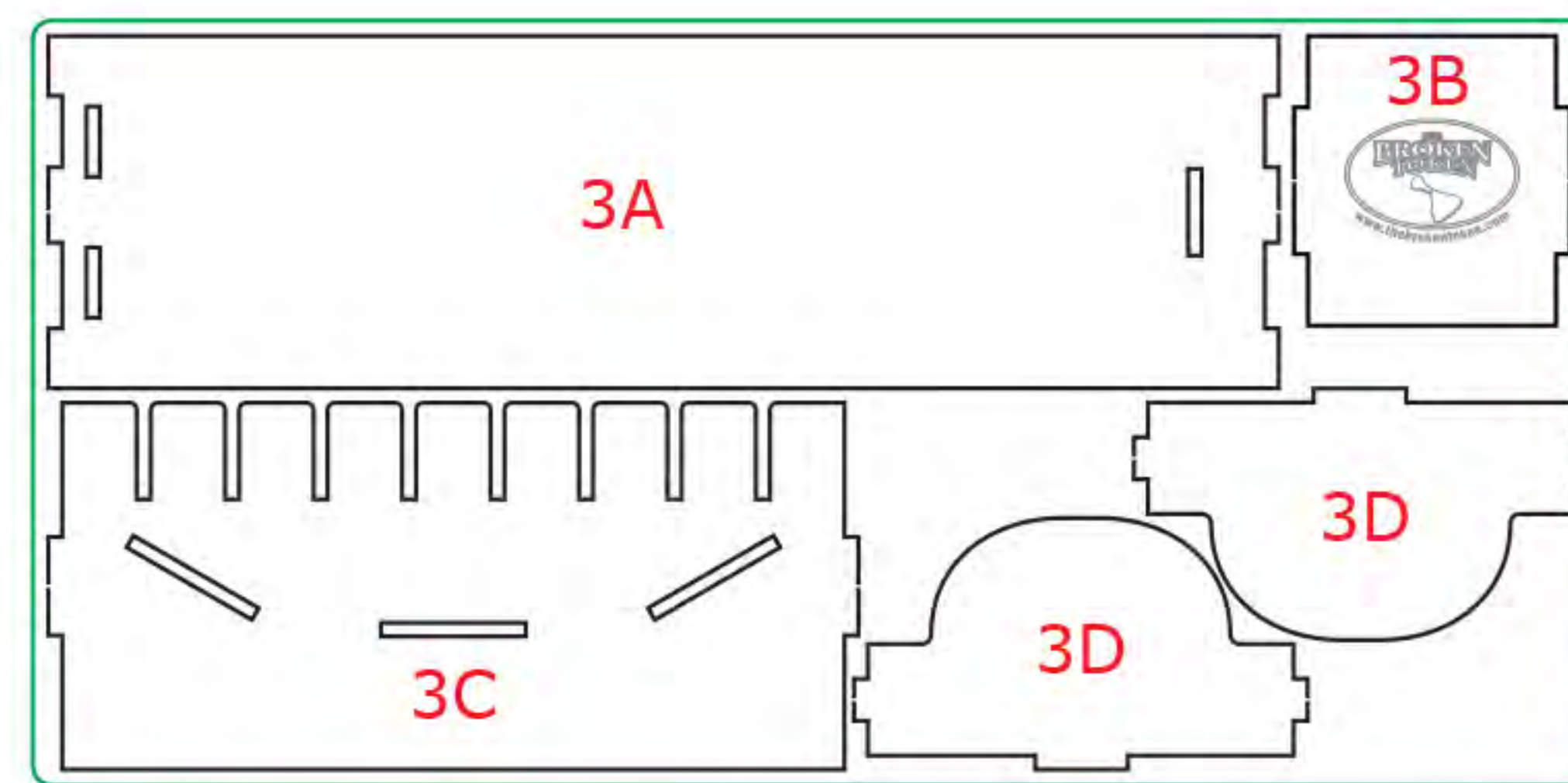
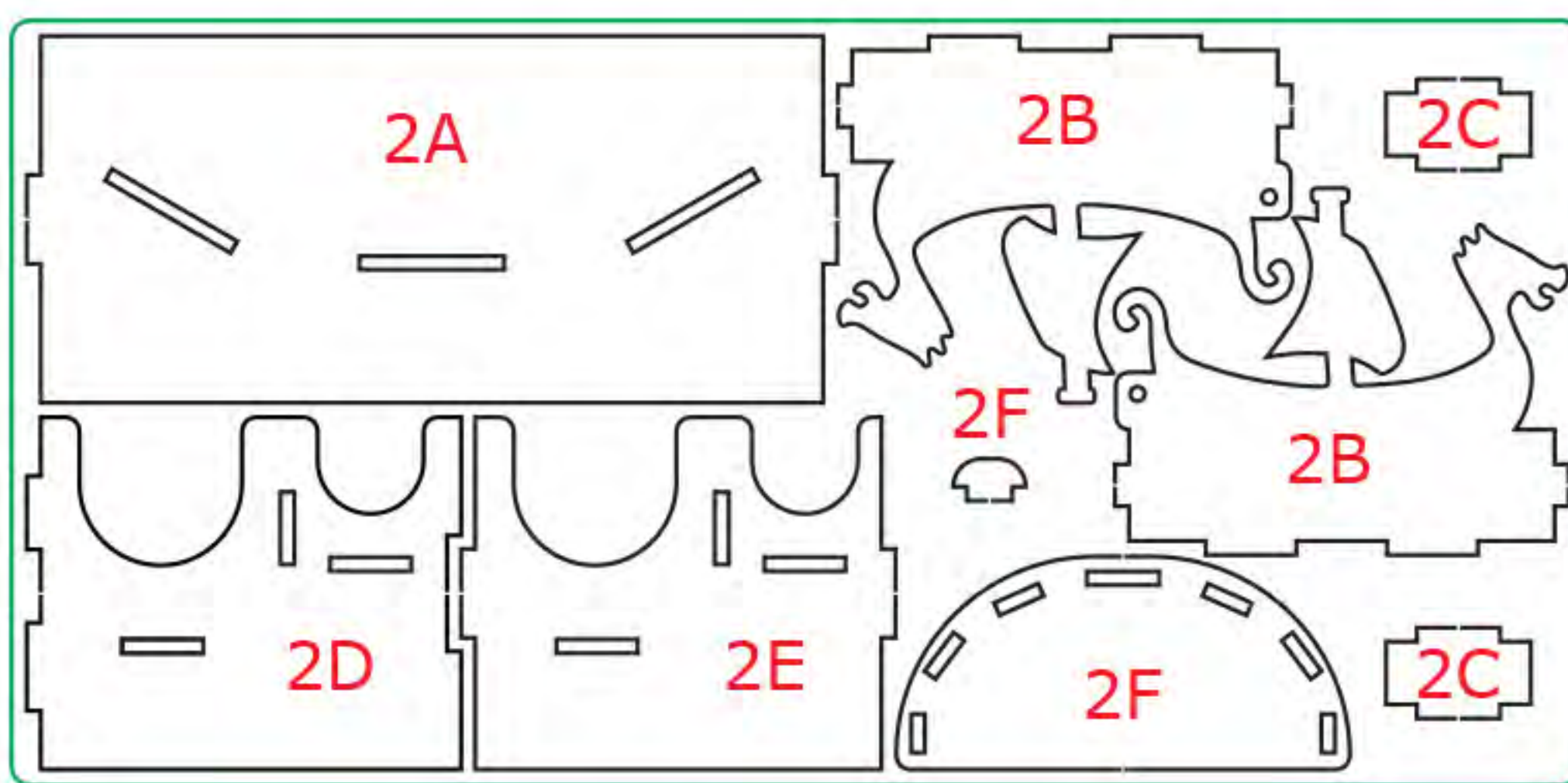
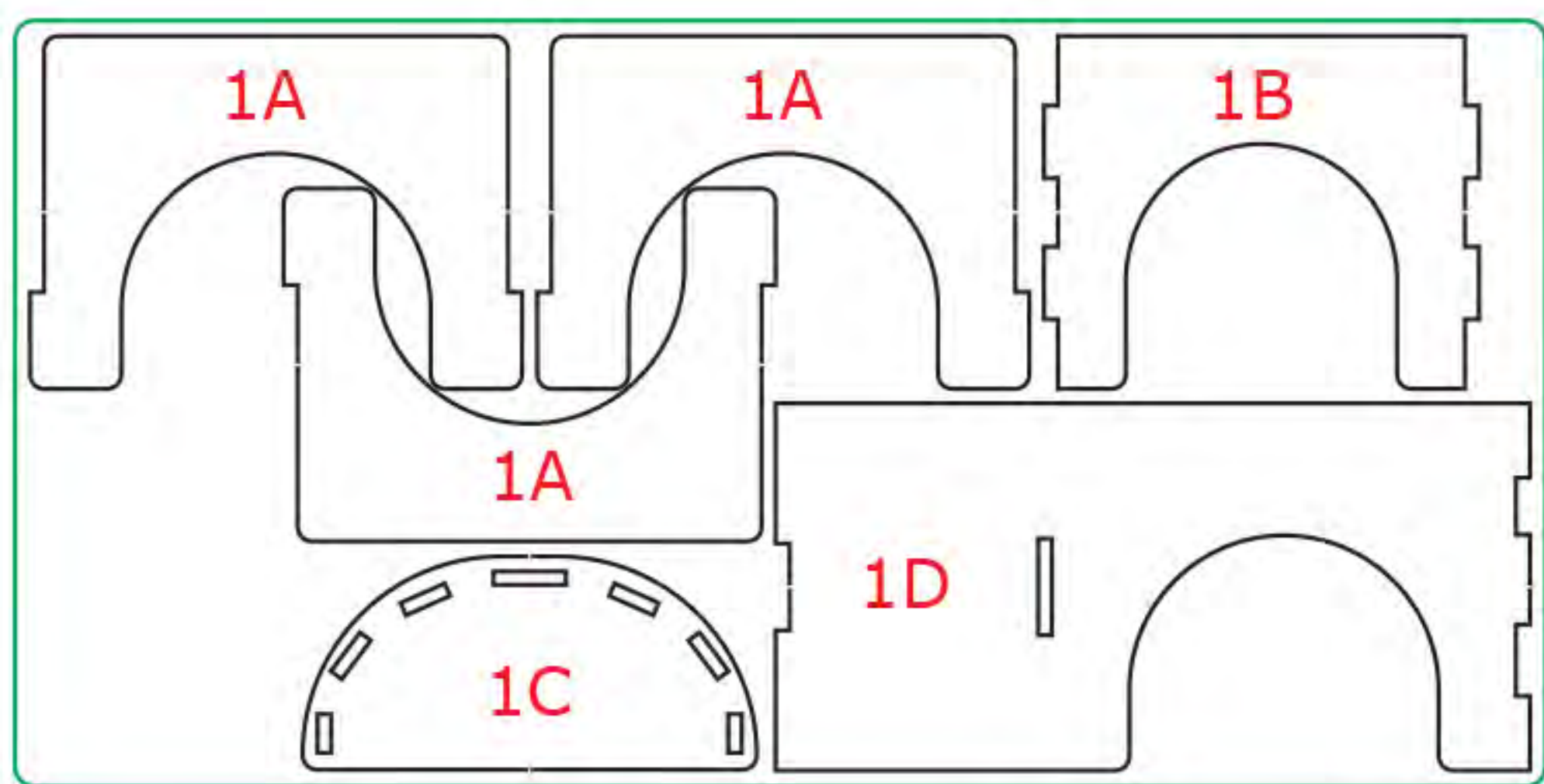
@tbt_gaming
 thebrokentoken
 thebrokentoken
 thebrokentoken



Warning: Not a toy. Not suitable for children under 14 years of age. Usage under parental guidance or guidance of adults only.

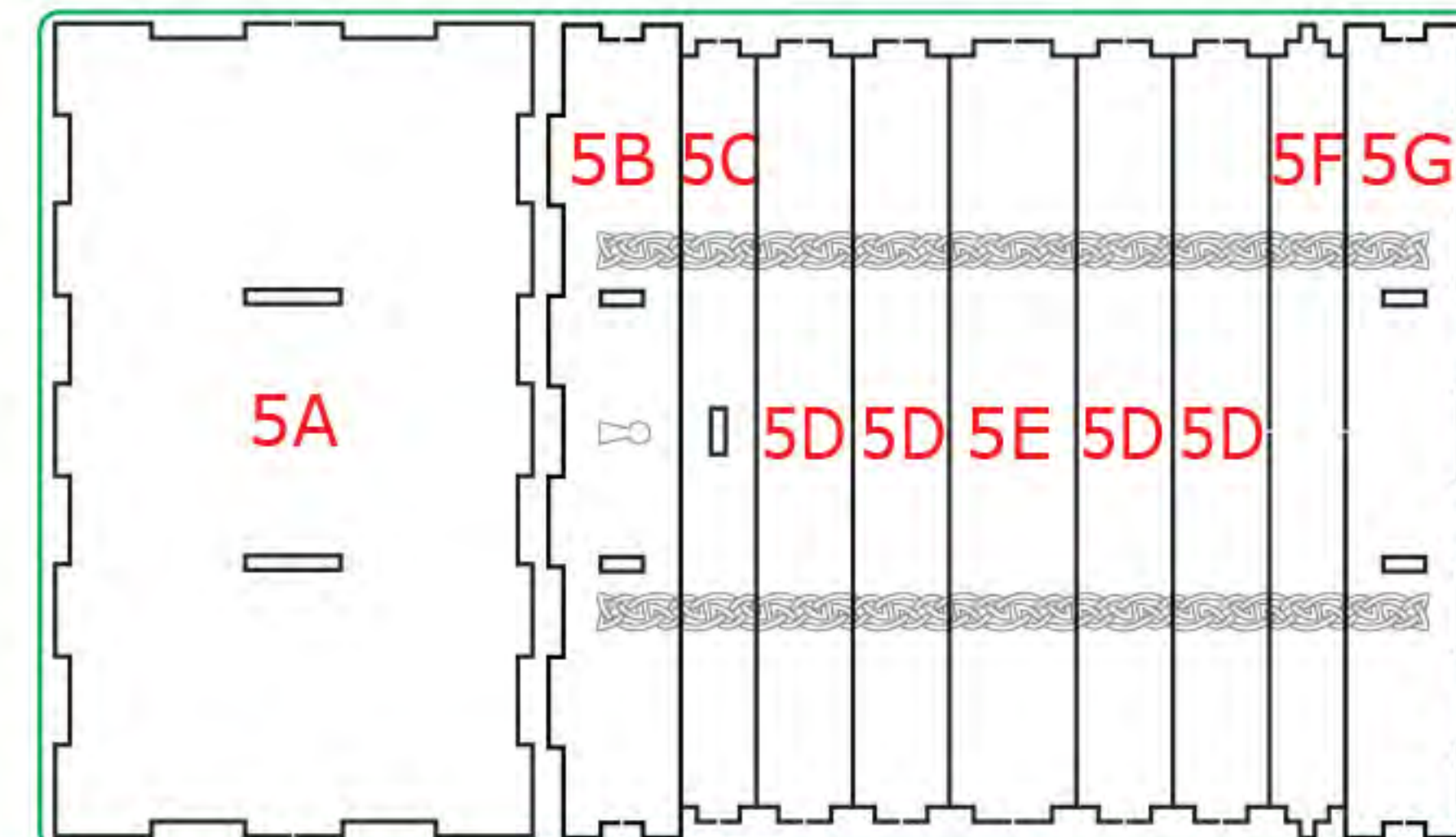
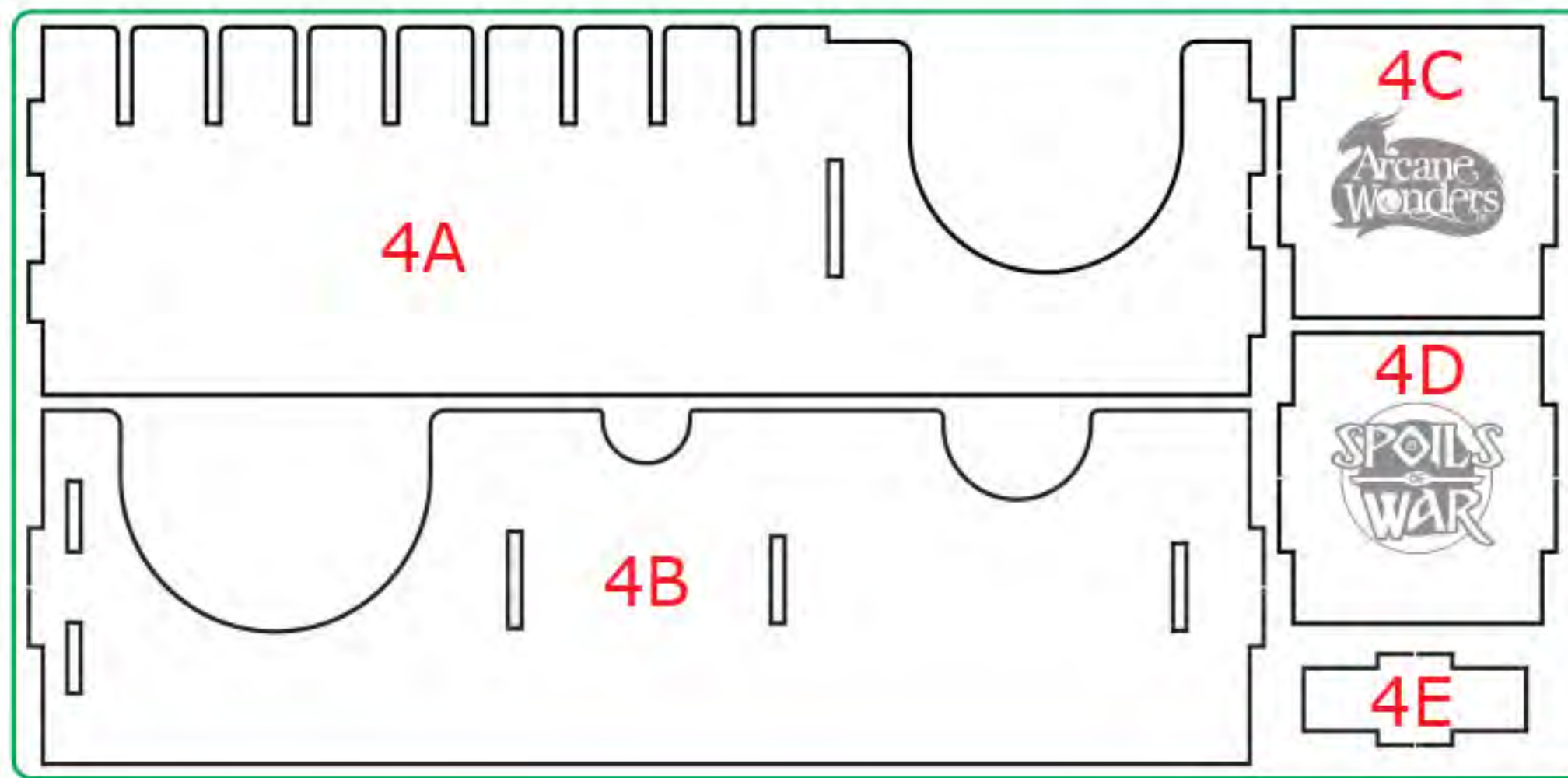


Assembly Instructions

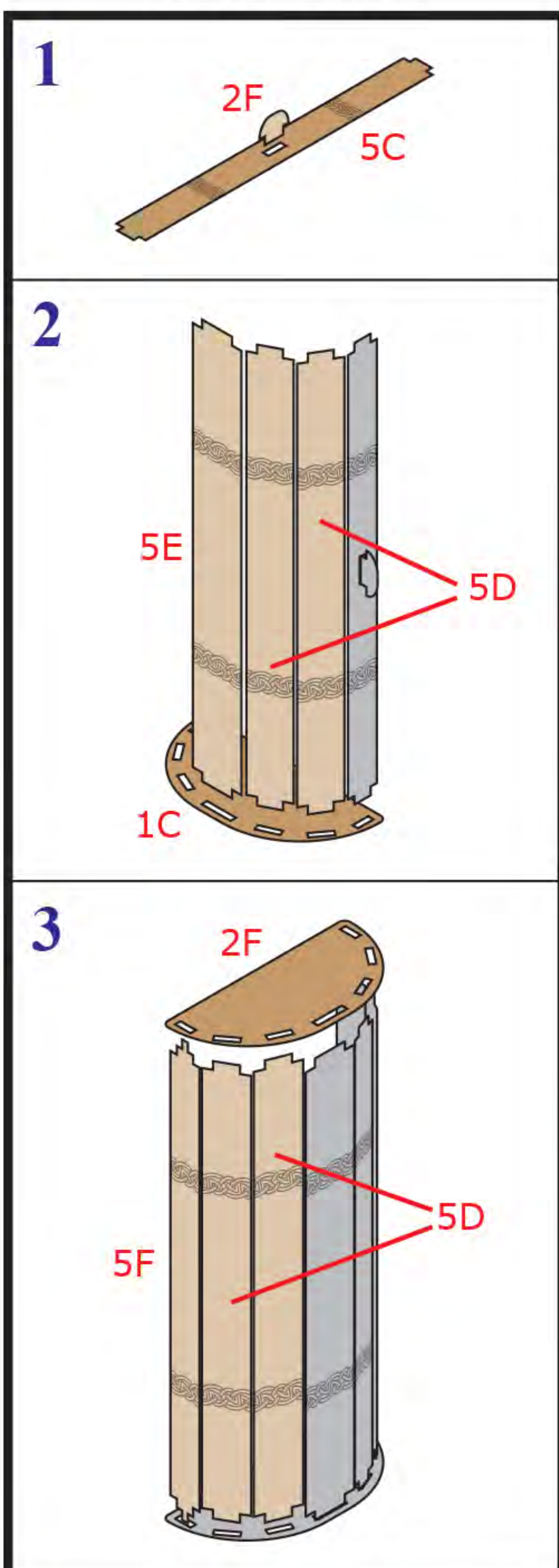


Thank you for purchasing our Spoils of War Organizer. If you have any questions about assembly, please don't hesitate to contact us through our website.

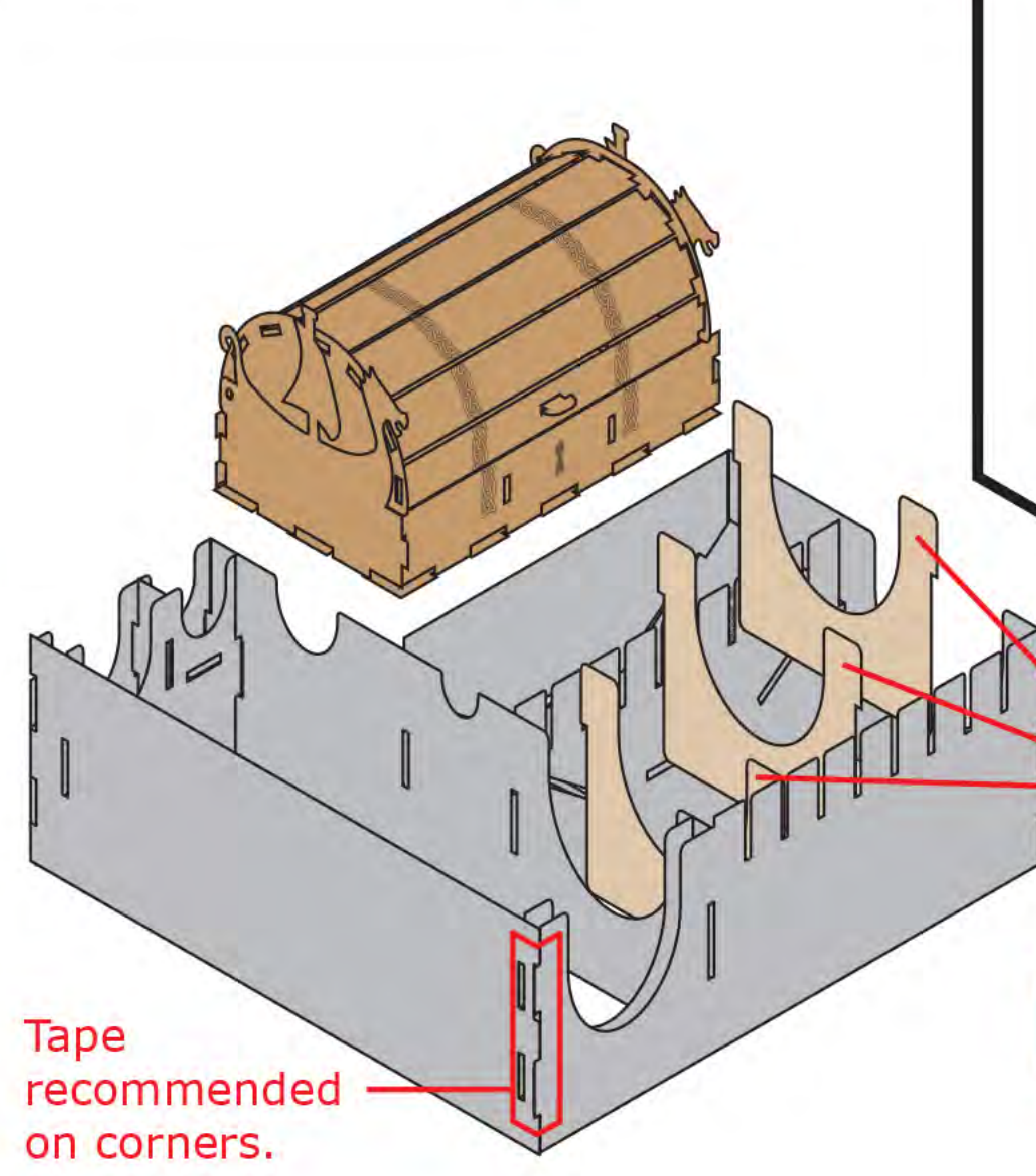
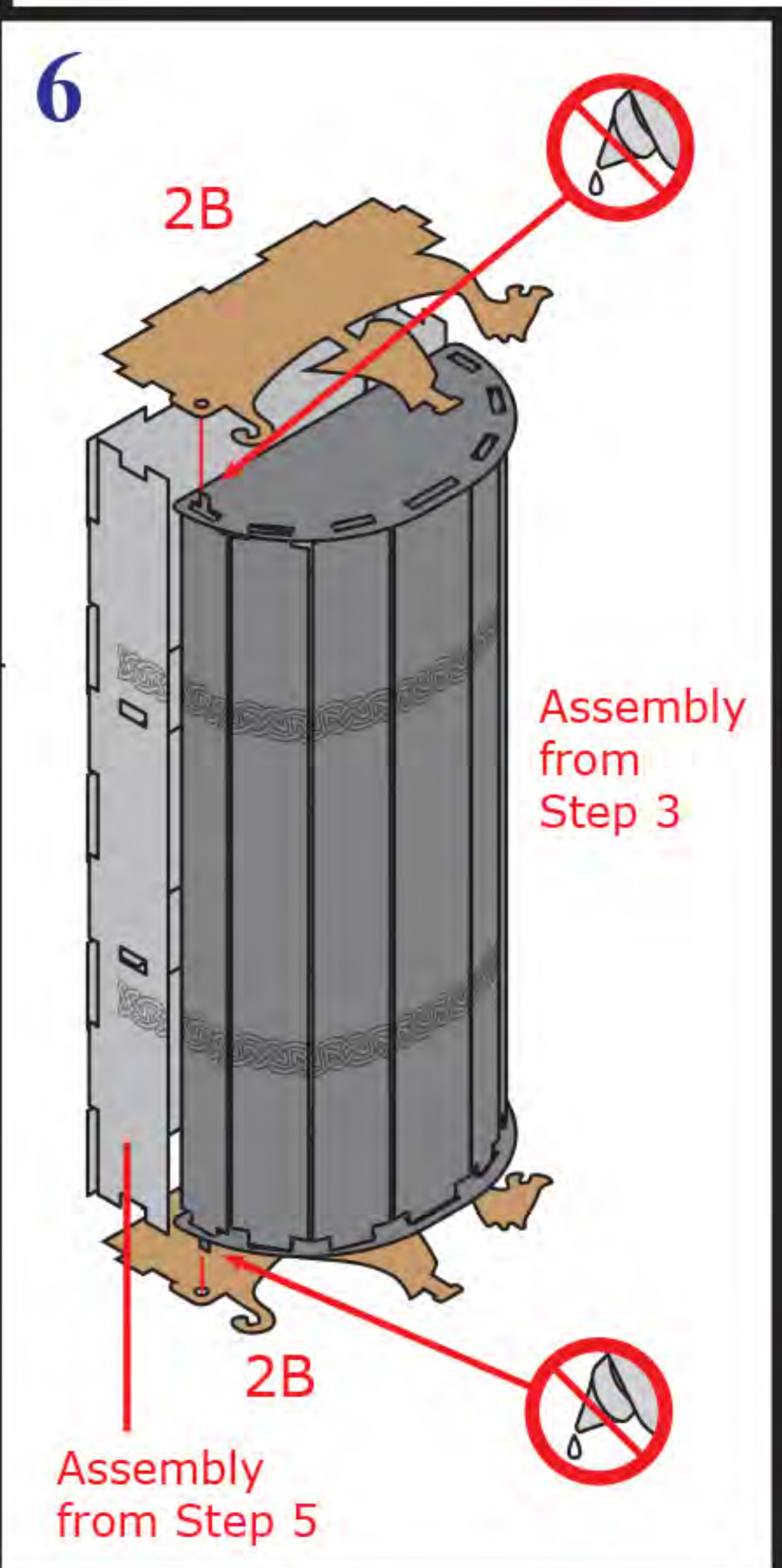
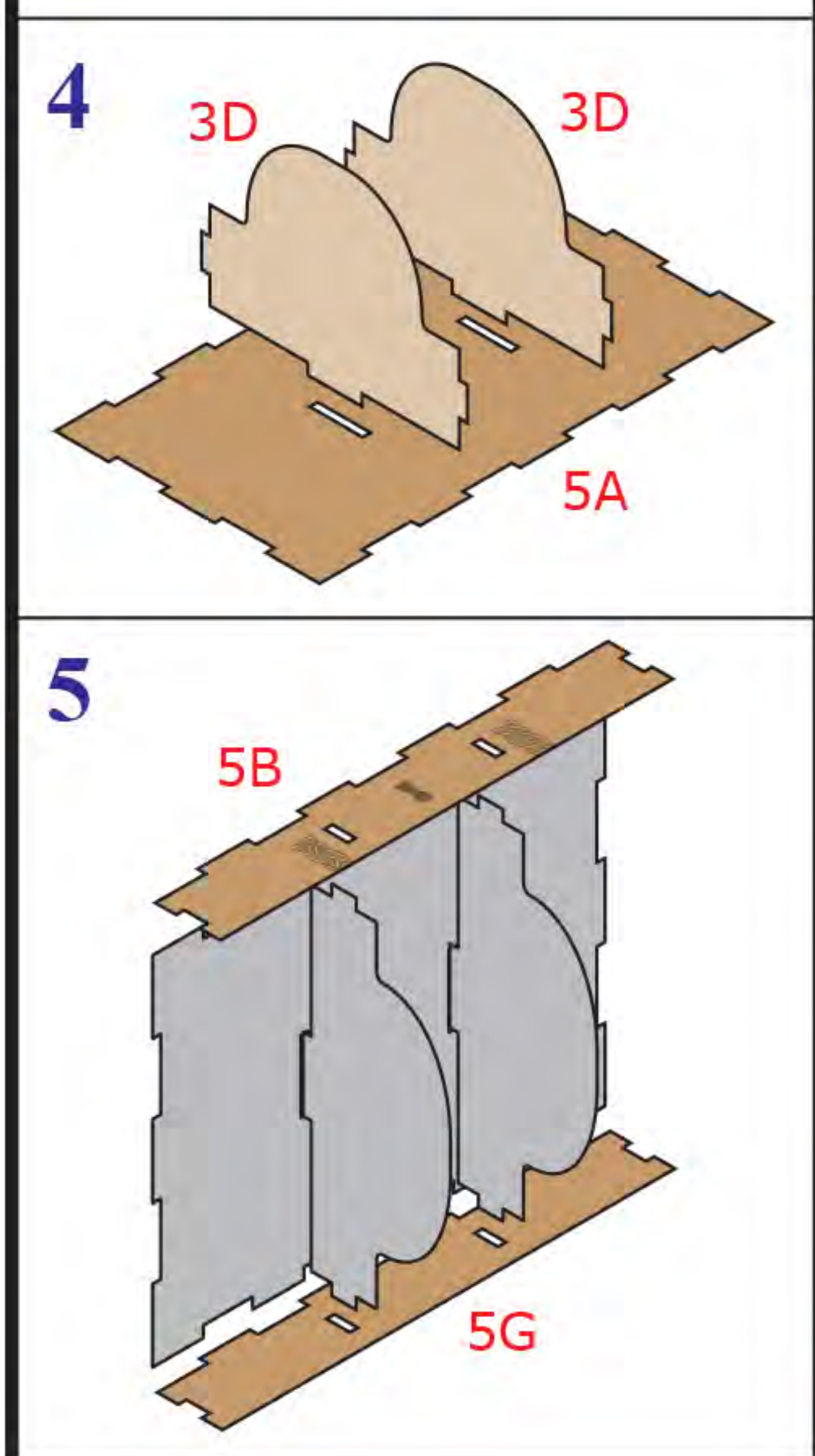
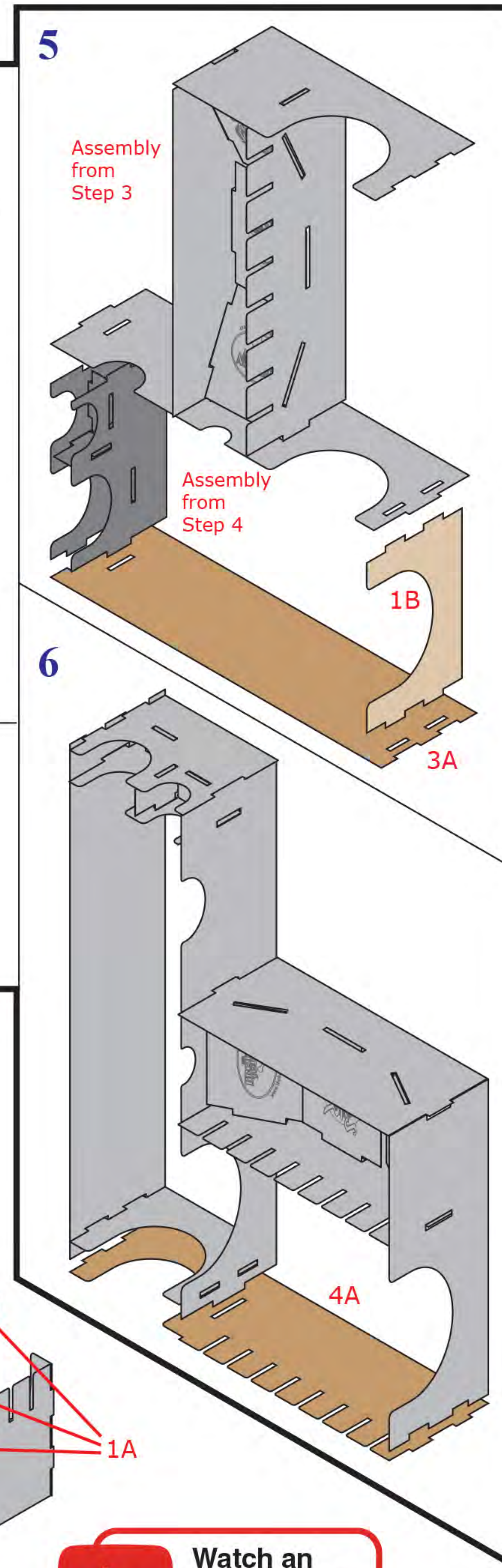
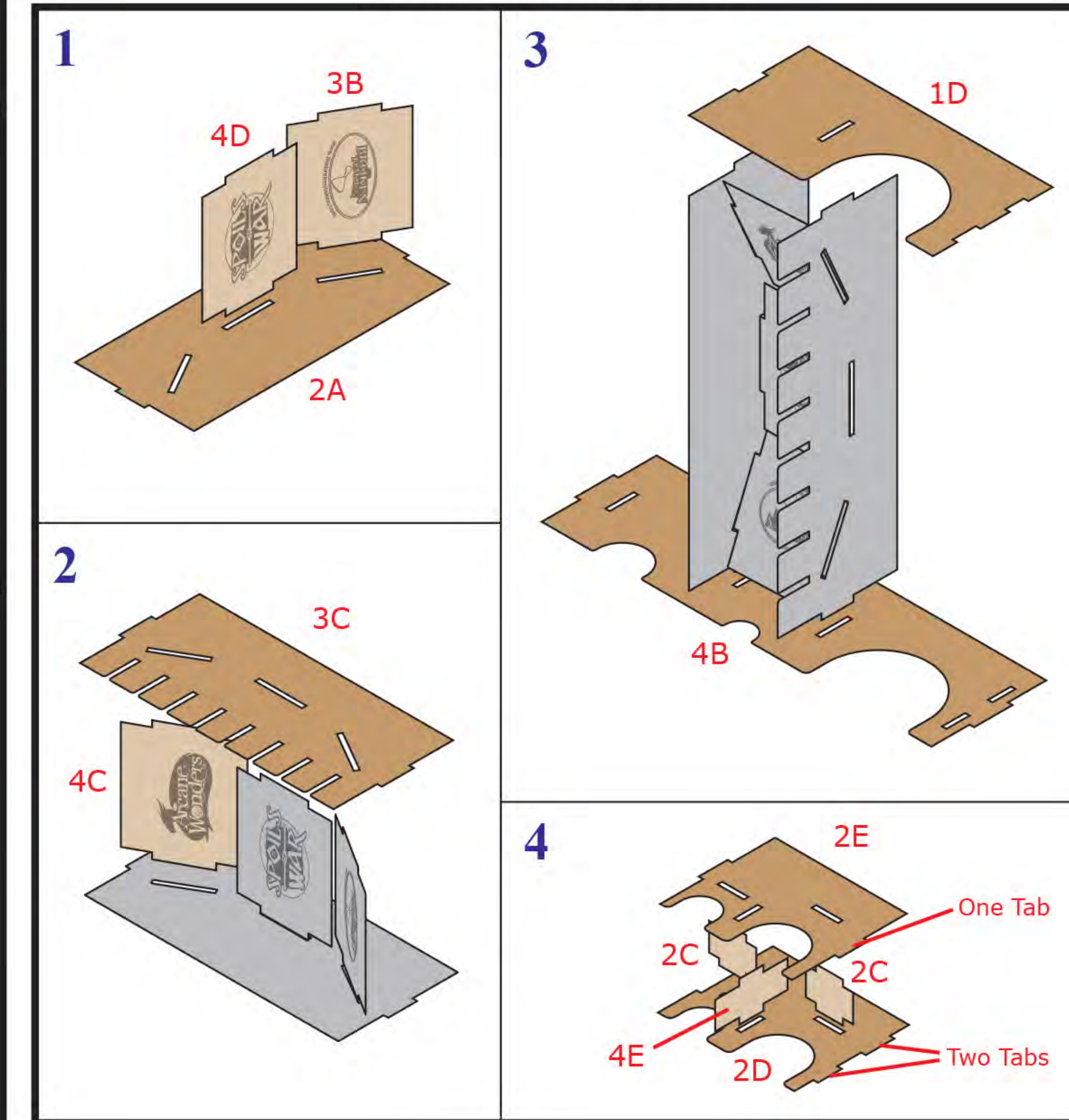
Note: Glue should be used on all joints. Wood glue is recommended.



Token Chest



Main Box Organizer



Watch an **ASSEMBLY VIDEO**
<http://tiny.cc/tokenspoils>