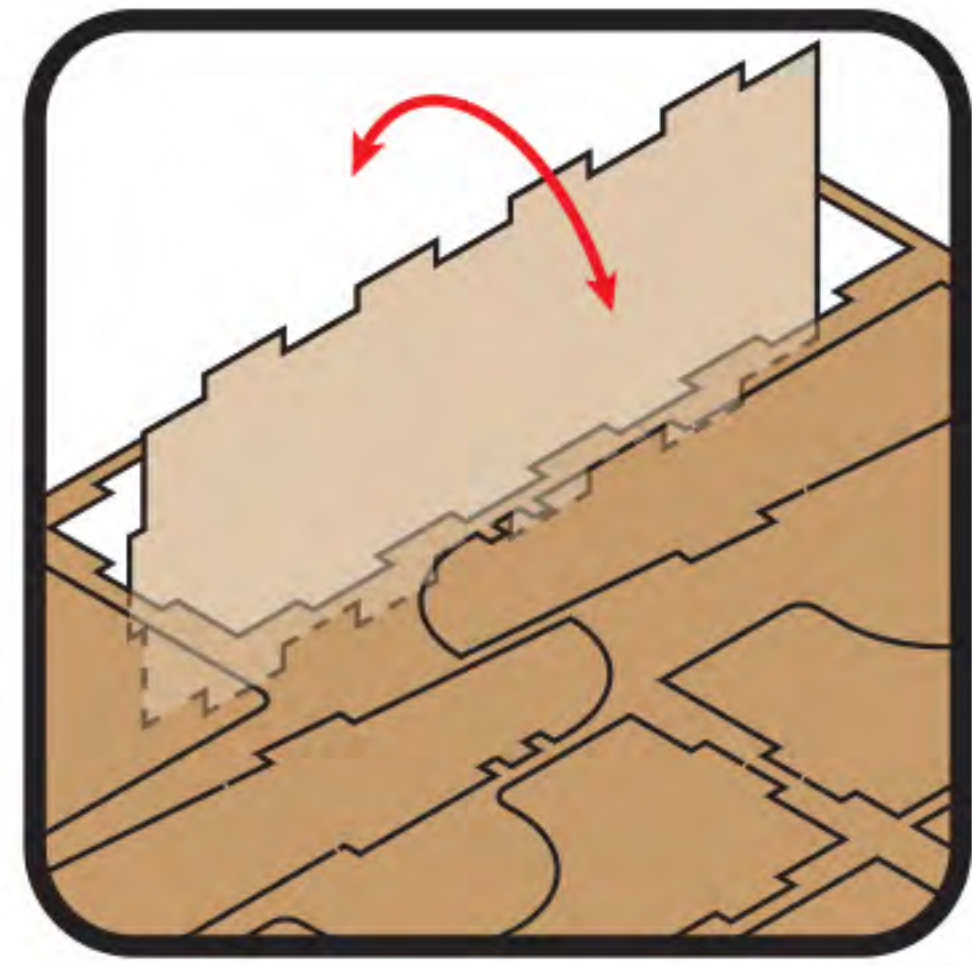


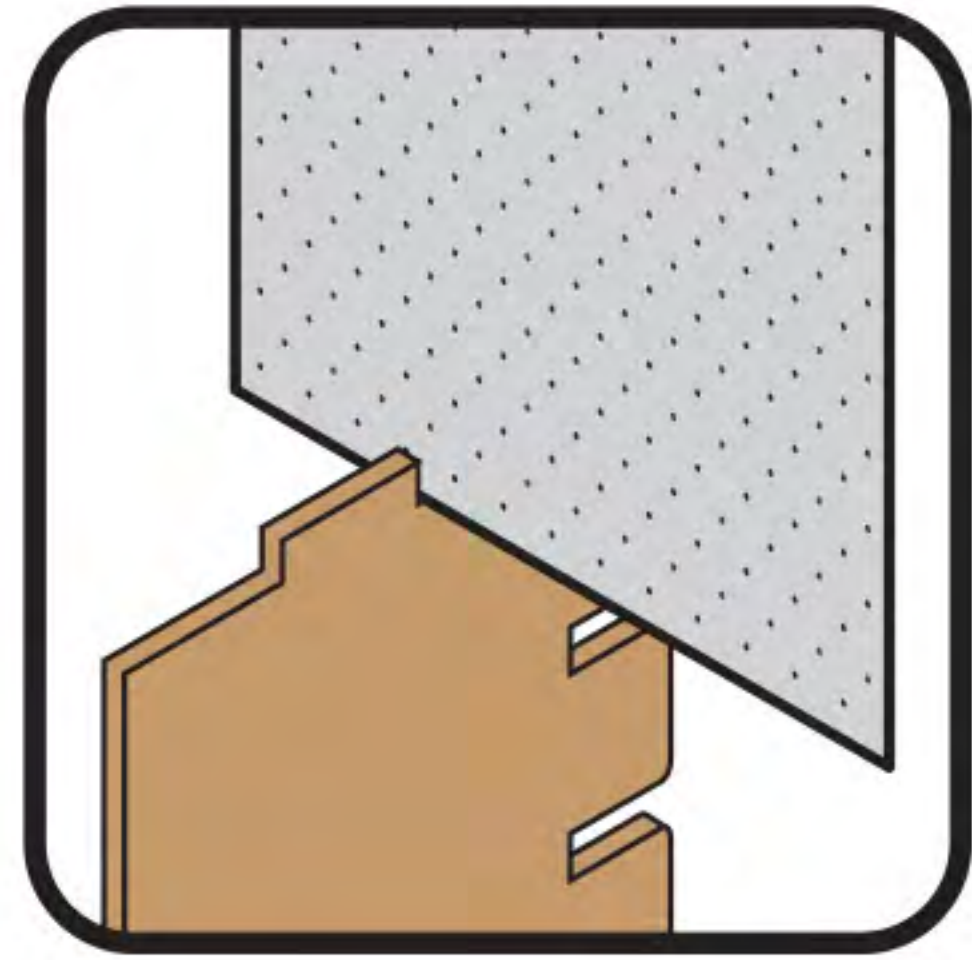
# Assembly Tips and Tricks



Remove parts from the frame by rotating them back and forth until they easily break free.



Trim off any excess wood with a hobby knife.



Tight pieces can be sanded, or trimmed with a hobby knife, to create a better fit.



Loose pieces may be assembled with a small amount of wood glue.

We recommend using glue for any removable trays or parts that are handled frequently.



Gently tap pieces together with a mallet, hammer or other blunt object.

See more assembly tips and product videos on YouTube: [youtube.com/thebrokentoken](https://www.youtube.com/thebrokentoken) or contact us via through our website: [www.thebrokentoken.com/contact-us](http://www.thebrokentoken.com/contact-us)

## You Might Also Be Interested in...

### BOX BAND-ITS

Keep your game boxes closed during transit with 4", 8" and 10" sizes.



[www.thebrokentoken.com](http://www.thebrokentoken.com)

@tbt\_gaming thebrokentoken thebrokentoken thebrokentoken



[www.thebrokentoken.com](http://www.thebrokentoken.com)

# UNDEAD WINTER ORGANIZER

compatible with  
**Dead of Winter®**



This box organizer is compatible with Dead of Winter® and is a non-licensed product. All trademarks and copyrights are properties of their respective owners.

Product subject to change without notice. ©2015 The Broken Token, LLC. Visit [thebrokentoken.com](http://thebrokentoken.com) for our full line of gaming organizers and accessories.



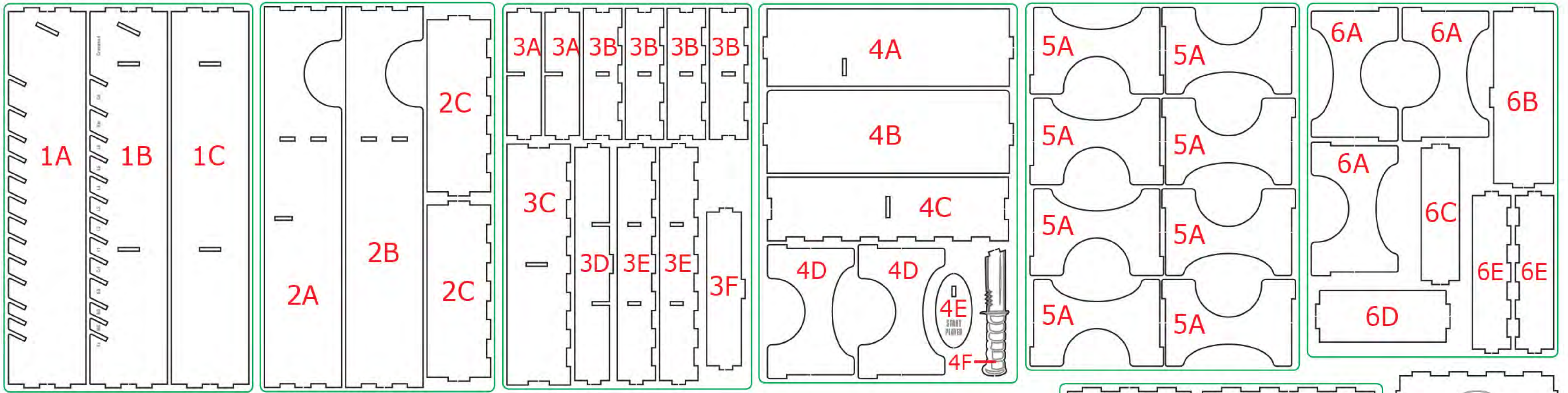
**Warning:** Not a toy. Not suitable for children under 14 years of age. Usage under parental guidance or guidance of adults only.



ORG022



# Assembly Instructions

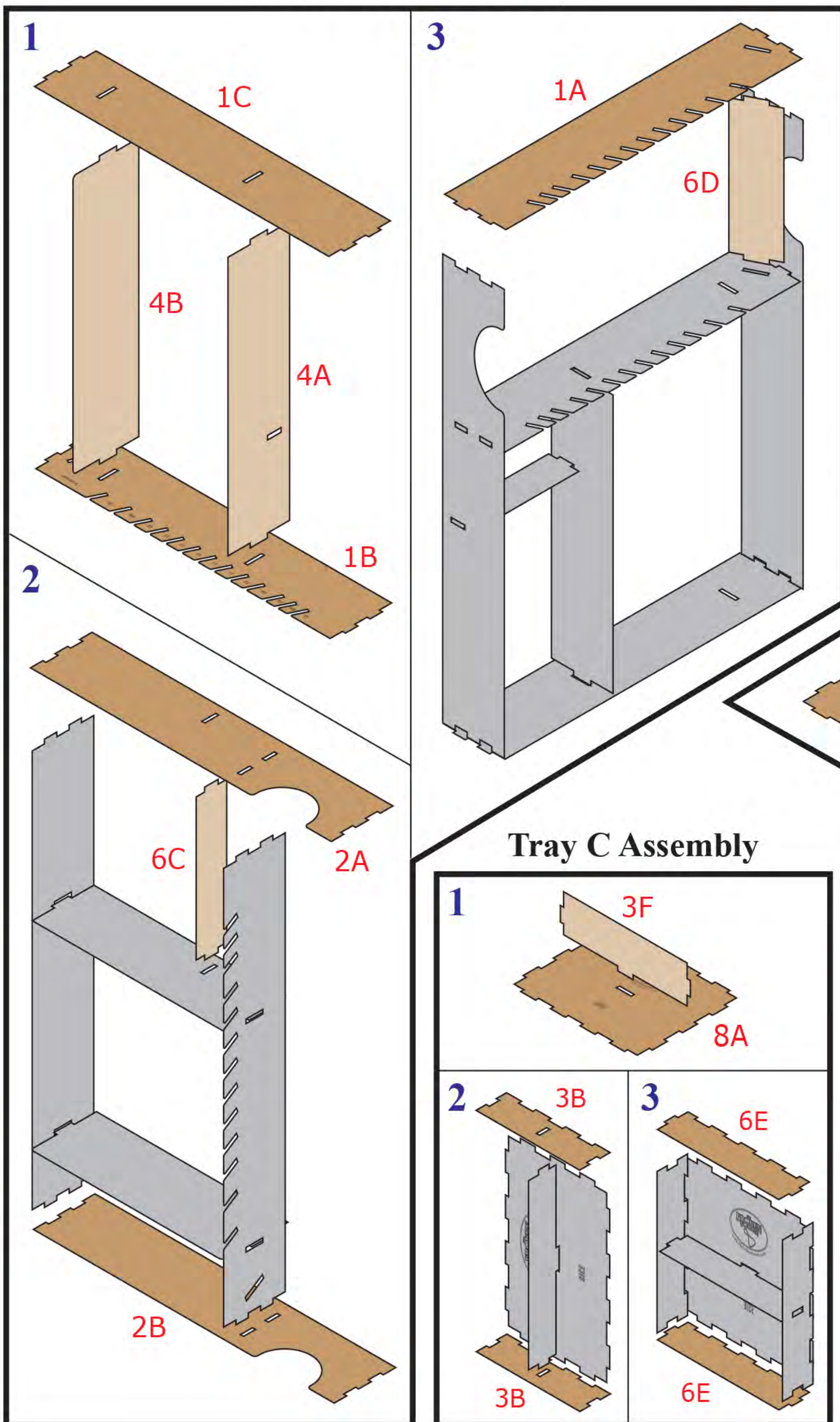


Thank you for purchasing our Undead Winter Organizer. If you have any questions about assembly, don't hesitate to contact us through our website.

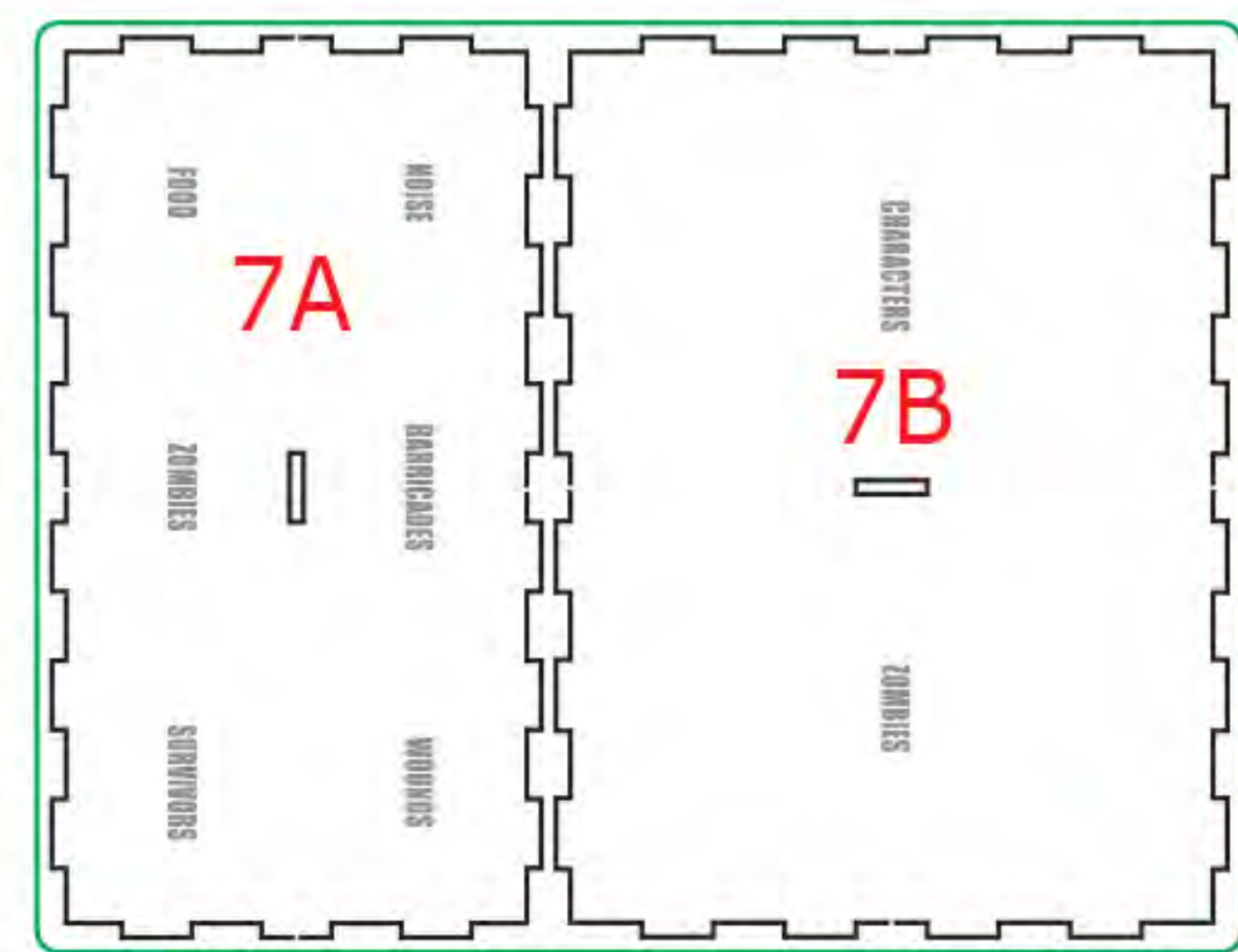
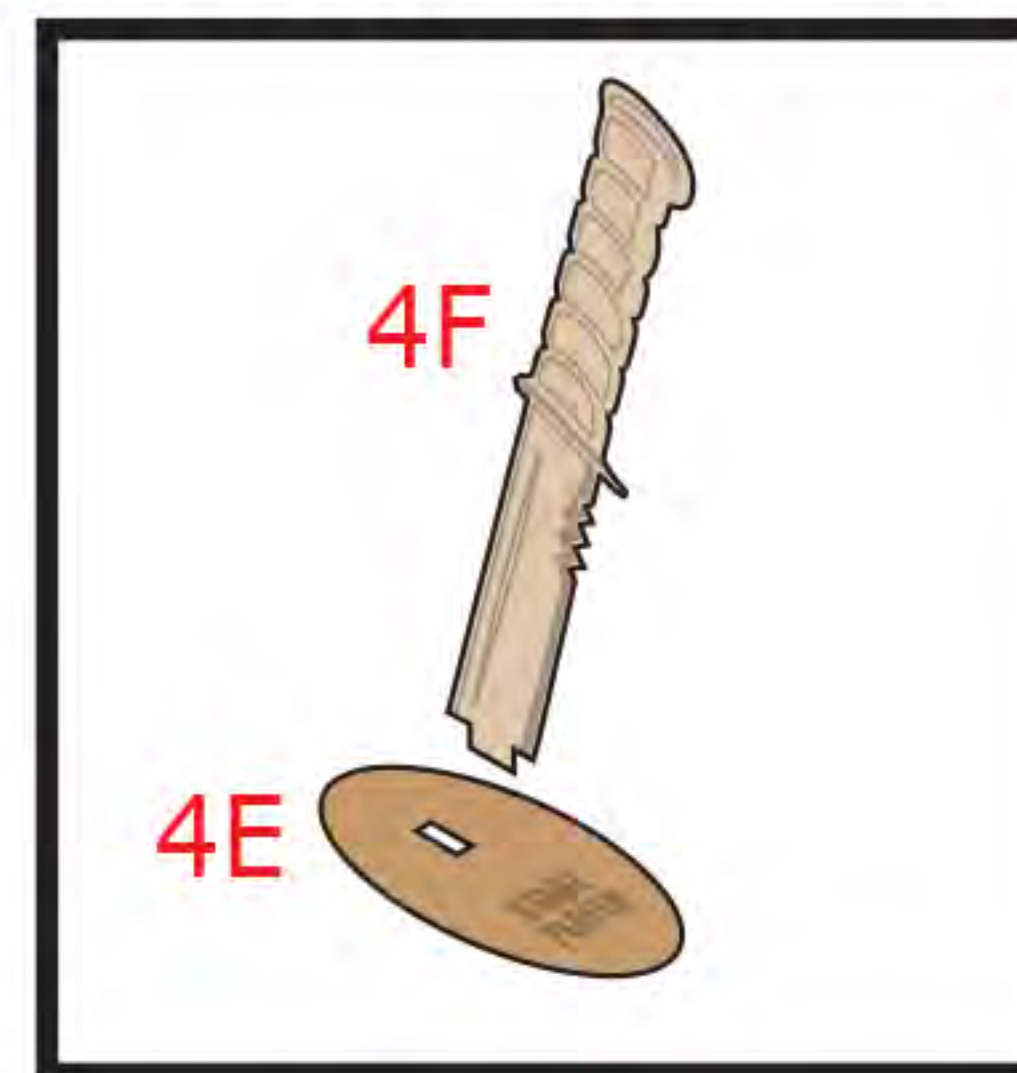
**NOTE:** Glue should be used on all joints. Wood glue is recommended.


**Watch an ASSEMBLY VIDEO**  
<http://tiny.cc/tokenundead>

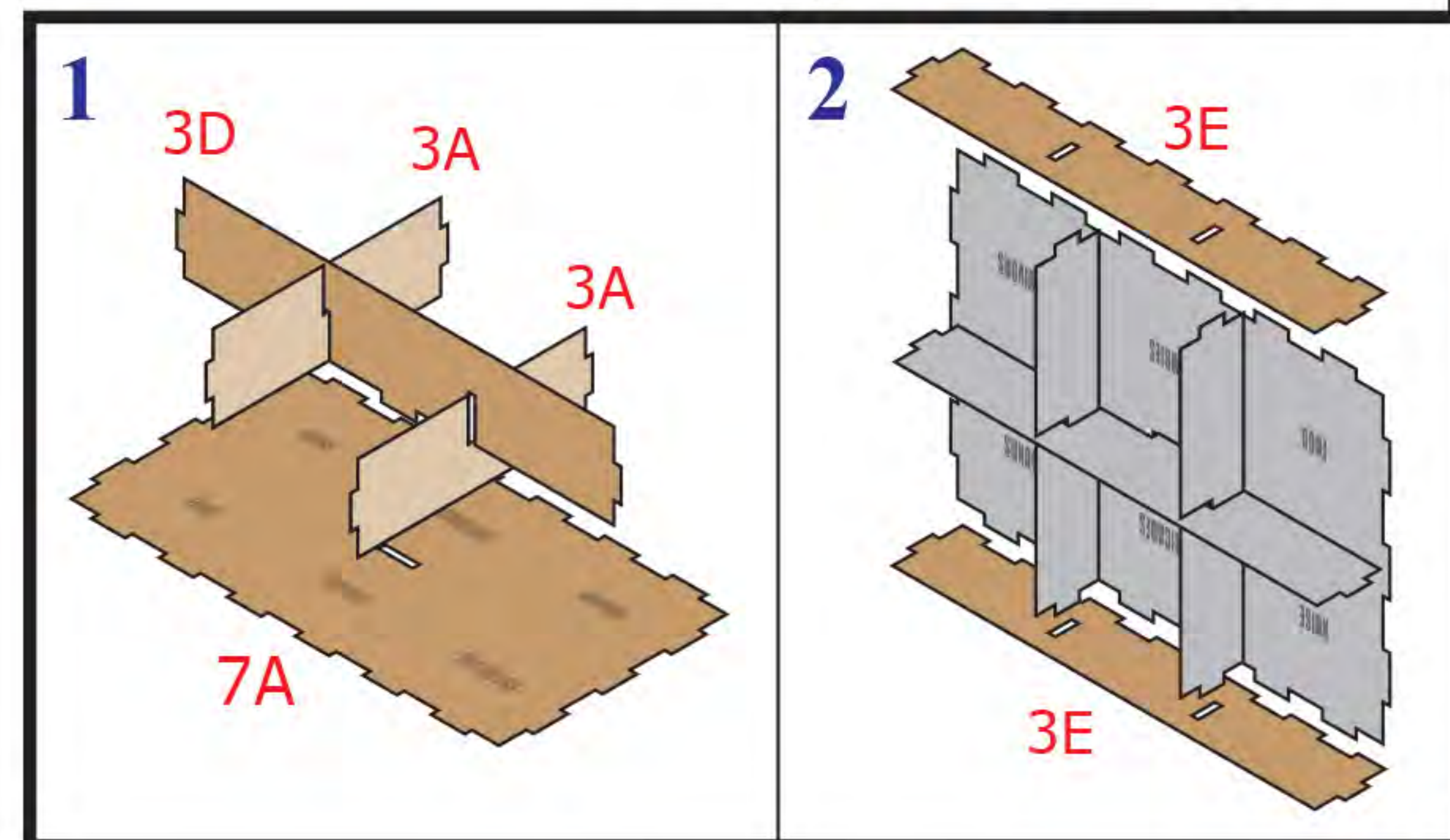
## Main Box Assembly



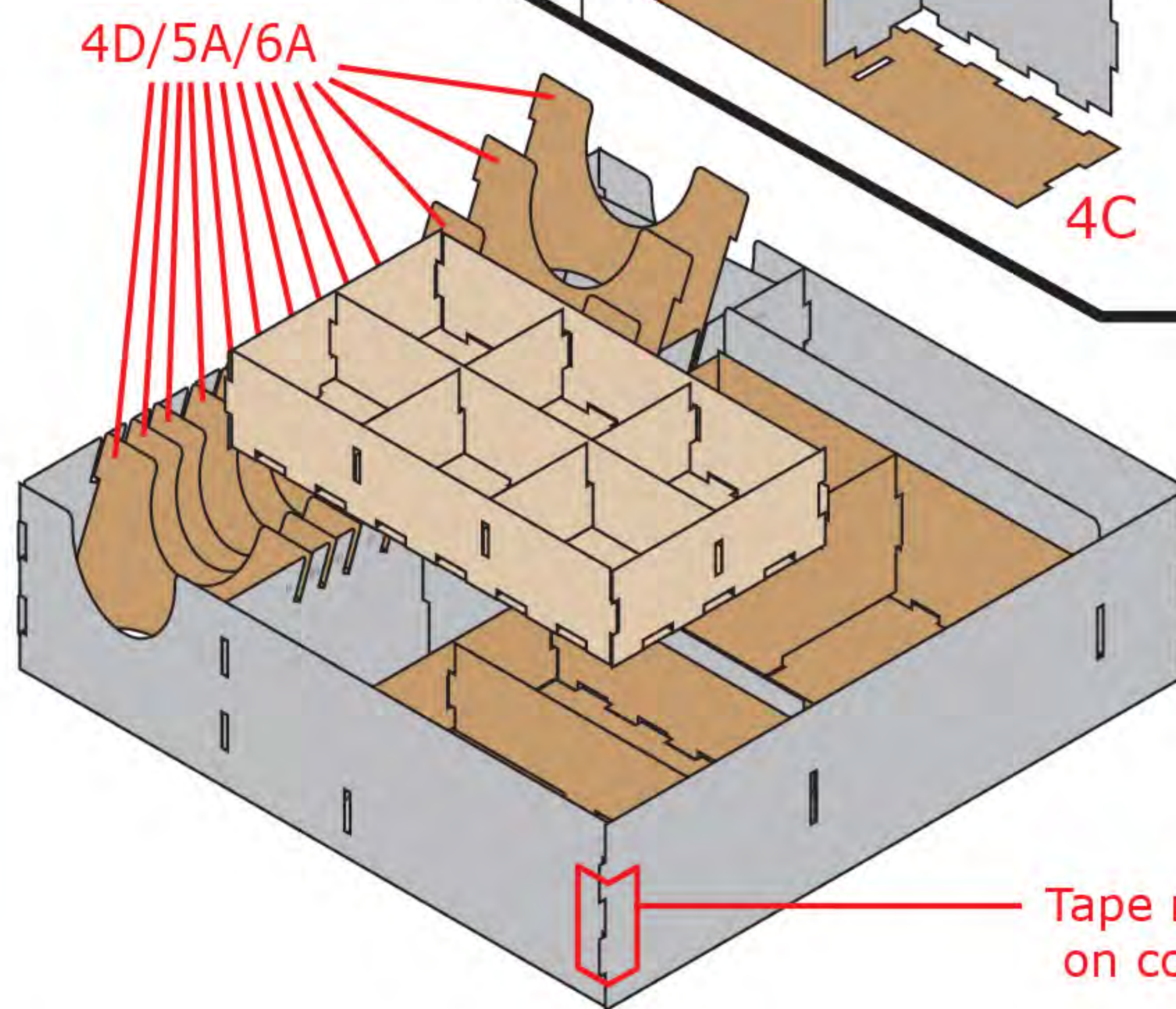
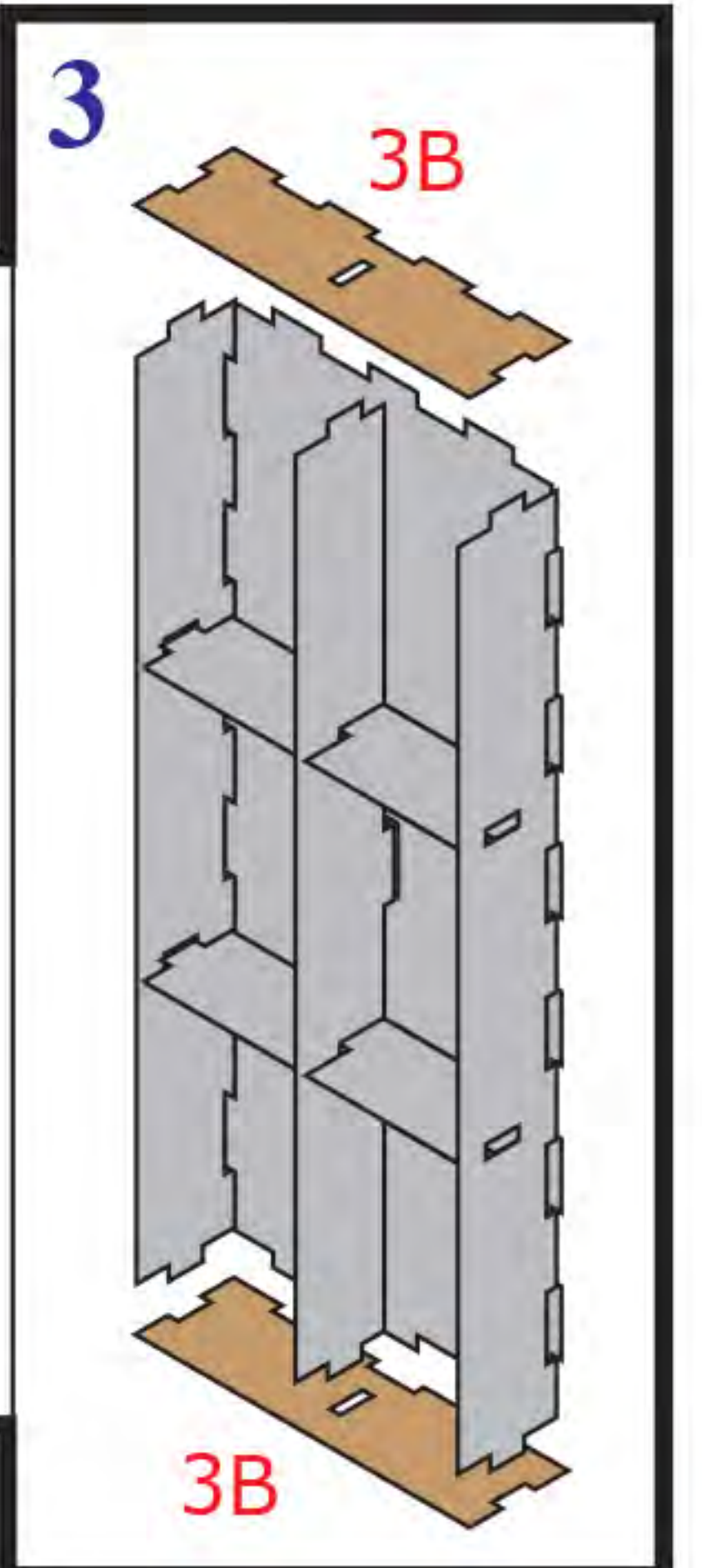
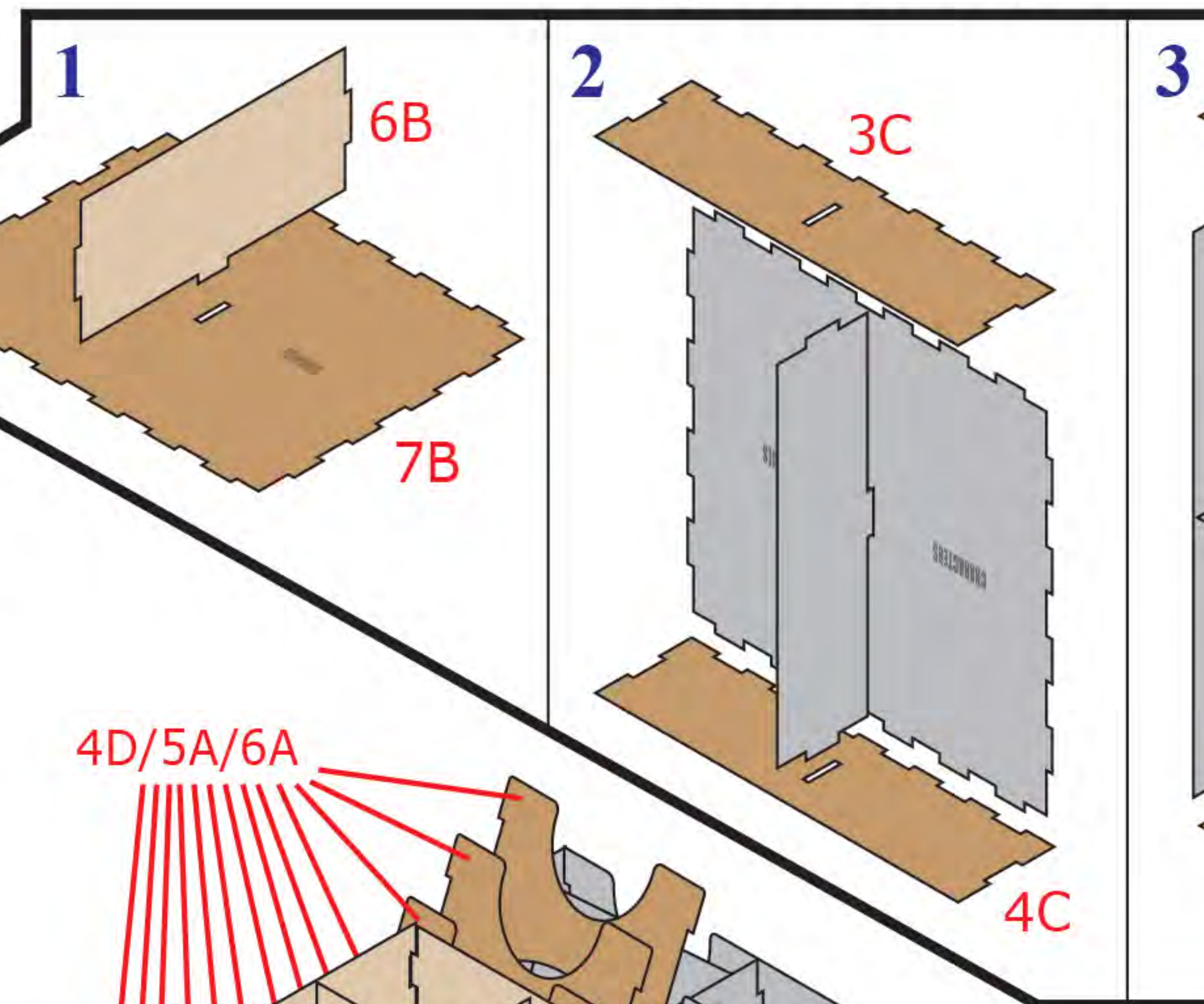
## Token Assembly



## Tray B Assembly



## Tray A Assembly



Tape recommended on corners.