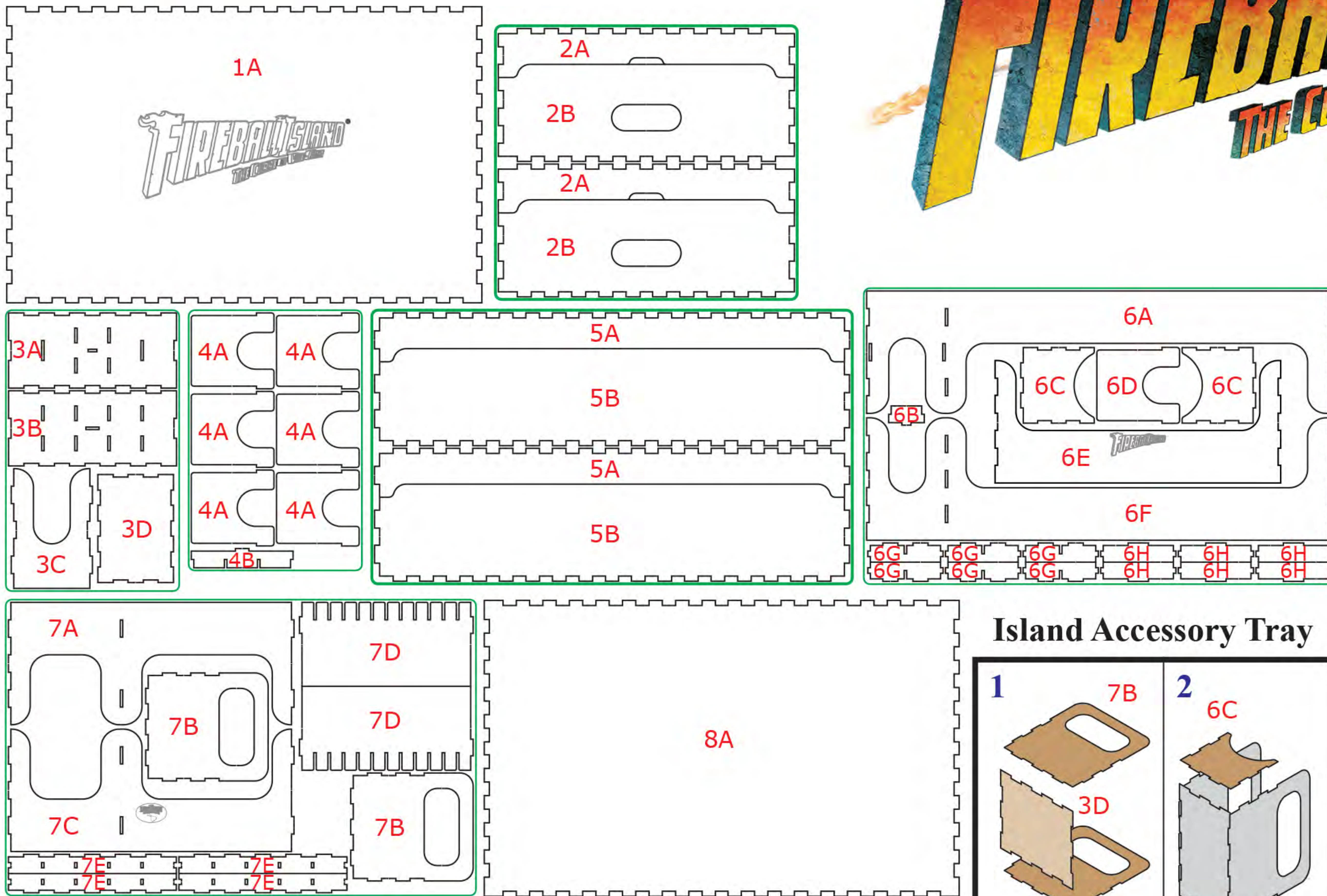




FIREBALL ISLAND

THE CURSE OF VUL-KAR

GAME CRATE



Thank you for purchasing our Fireball Island Game Crate. If you have any questions about assembly, please don't hesitate to contact us.

Note: Glue should be used on all joints. Wood glue is recommended.

Watch an **ASSEMBLY VIDEO**
<http://tiny.cc/tokenFICOV>

Crate Lid

Crate Base

Island Accessory Tray

Inner Organizer

